

Artemide

Artemide Mercury LED Ceiling Light

LA8276-LED

SOURCE: <https://www.davidvillagelighting.co.uk/product/Artemide-Mercury-LED-Ceiling-Light/12251>



PRODUCT DESCRIPTION

Designer: Ross Lovegrove

Mercury LED Ceiling by Artemide

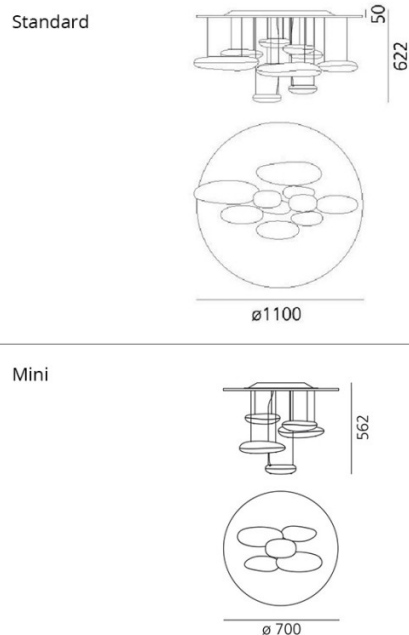
The Mercury collection is considered to be a masterpiece, and has earned Ross Lovegrove the Red Dot Award and Good Design Award in 2008. Lovegrove designed the Mercury lights for Italian brand and lighting pioneer Artemide. Mercury is available as a ceiling or a suspension light.

The characteristic of the Mercury light is the die-cast polished aluminium pebbles which are suspended from an aluminium disc. The floating pebbles function as reflective surfaces, constantly interacting with natural light and the movement of people around the light. When not on, the Mercury ceiling light becomes a sculptural object with a striking effect in any setting. Lovegrove takes inspiration from the simplicity found in nature, and hence creating these biomorphic globules.

The Mercury LED ceiling light is available in a large size (10 pebbles) or as Mercury mini (5 pebbles). The integrated LED comes with a choice of 2700K or 3000K colour temperature, depending on your preference. Mercury is also available as a retrofit/halogen version.

PRODUCT SPECIFICATION

- Light Source:** **Standard** - 2 x 29W, 2700K or 3000K, 2893 or 3094 lumens
Mini - 29W, 2700K or 3000K, 1447 or 1547 lumens
- IP Code:** 20
- Dimming:** Push to make/ switch dimming, dimmable using push to make switches. Please consult your electrician, additional wiring may be required on site.
- Dimensions:** **Standard** - Ø110cm, 62.2 cm H, 5 cm recess depth
Mini - Ø70cm, 56.2 cm H





For all sales and technical enquiries, please contact:

+44 (0)114 263 4266

info@davidvillagelighting.co.uk

www.davidvillagelighting.co.uk