

FLOS

Flos Romeo Outdoor Pendant

LA9872

SOURCE: <https://www.davidvillagelighting.co.uk/product/Flos-Romeo-Outdoor-Pendant/11608>



PRODUCT DESCRIPTION

Designer: Philippe Starck & Eugeni Quitllet

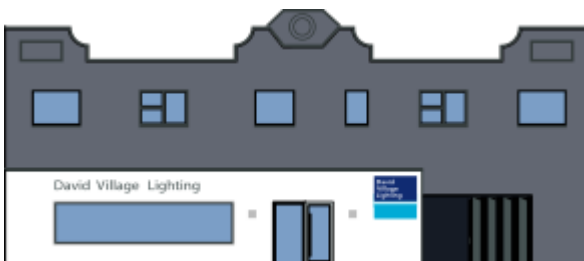
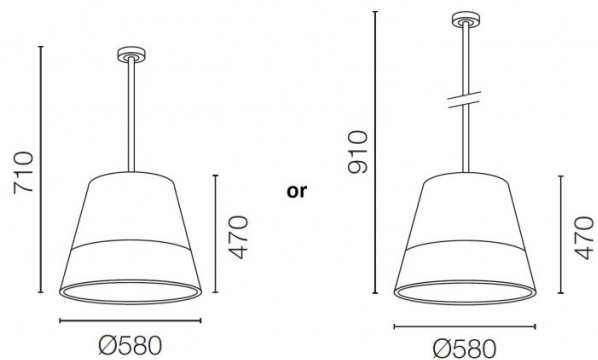
Romeo Outdoor C3 Pendant Light by Flos

Part of the Romeo range from Flos including a range of indoor lights, this suspension is IP55 rated and suitable for outdoor environments. The shades of the Romeo are created from weaving coloured PVC tubes, which have an internal aluminium frame, to create either the Green Wall or Panama finishes. The Romeo provides diffused light, at a degree of either 78 (71cm drop) or 74 (91cm drop) depending on the length of support chosen, thanks to its internal diffuser created from opal coloured polycarbonate.

In order to obtain good weather resistance, all the painted details on the Flos Romeo outdoor pendant have undergone a "galvanic" phosphochromate treatment for enhanced corrosion resistance.

PRODUCT SPECIFICATION

- Light Source:** 1 x max 250W E27 (excluded)
- IP Code:** 55
- Dimming:** Dimmable via mains phase dimming
- Dimensions:** Ø58cm shade
47cm shade height
71cm or 91cm drop



For all sales and technical enquiries, please contact:

+44 (0)114 263 4266

info@davidvillagelighting.co.uk

www.davidvillagelighting.co.uk