



# Zero Lens Large Pendant

LA9635

SOURCE: <https://www.davidvillagelighting.co.uk/product/Zero-Lens-Large-Pendant/11155>



## PRODUCT DESCRIPTION

**Designer:** Jens Fager

Painted aluminium and matt acrylic. 450 mm diameter.

LED and dimmable versions of this light are available on request.

Dimmable version available on request at extra cost.

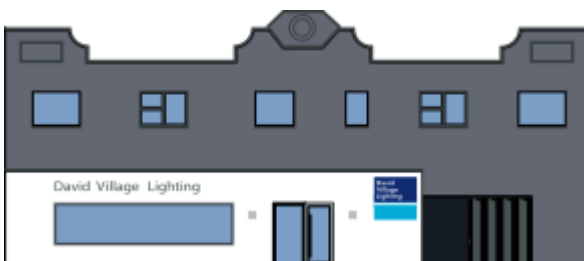
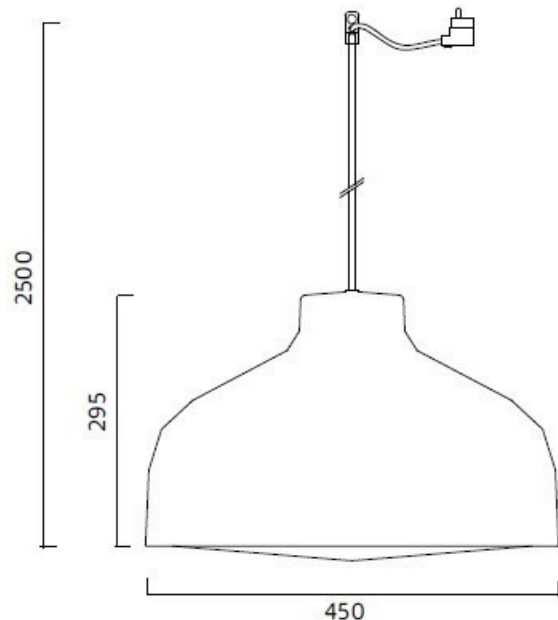
For further details, pricing and orders please [contact us](#).

## PRODUCT SPECIFICATION

**Light Source:** max 60W E27 (excluded)

**IP Code:** 20

**Dimensions:** Ø 45 cm shade  
29.5 cm shade height  
250 cm cable length



For all sales and technical enquiries, please contact:

+44 (0)114 263 4266

[info@davidvillagelighting.co.uk](mailto:info@davidvillagelighting.co.uk)

[www.davidvillagelighting.co.uk](http://www.davidvillagelighting.co.uk)