

**FOSCARINI**

**Foscarini Anisha LED Table Lamp**

LA9602

SOURCE: <https://www.davidvillagelighting.co.uk/product/Foscarini-Anisha-LED-Table-Lamp/10604>

**PRODUCT DESCRIPTION**

**Designer:** Lievore, Altherr, Molina

**Foscarini Anisha LED Table Lamp**

The Anisha LED Table Lamp is a lighting solution that plays with the concept of light and space. With a circular frame, this lamp outlines an empty space to then fill it with light, producing an intriguing and compelling aesthetic. The curved forms and sleek design make this lamp modernistic and innovative, using LED technology to create a light that is slim and functional.

The Anisha LED table light can be used in a wide variety of settings such as lounges, offices, entrances and reception areas, looking splendid in both home and commercial environments. This table light has an integrated LED light source and dimmer, so you can produce the lighting atmosphere you want, whether you need a bright light for reading or a soft light for a cosy night in. The white finish means it can subtly slip into any design scheme and the choice of a small or large size means you can find the right fit for your space.



**PRODUCT SPECIFICATION**

**Light Source:** **Small:** 3.4W, 3000K, 300 Lumens  
**Large:** 4.5W, 3000K, 400 Lumens

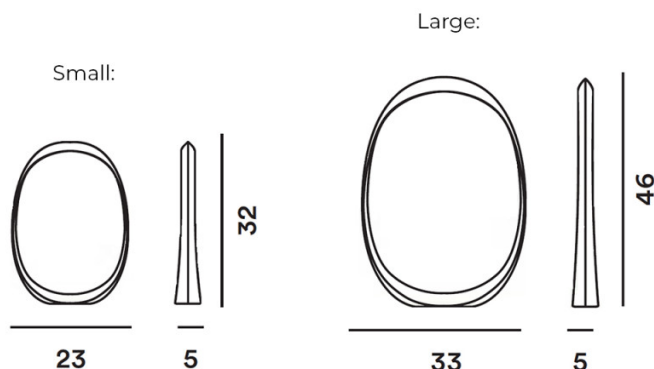
**IP Code:** 20

**Dimming:** Integrated dimmer on the product.

**Dimensions: Small:**  
Width: 23cm  
Height: 32cm

**Large:**  
Width: 33cm  
Height: 45cm

Depth: 5cm  
Cable Length: 160cm





**For all sales and technical enquiries, please contact:**

+44 (0)114 263 4266

[info@davidvillagelighting.co.uk](mailto:info@davidvillagelighting.co.uk)

[www.davidvillagelighting.co.uk](http://www.davidvillagelighting.co.uk)