



Terzani Mizu Singular Pendant

LA9475-1 LIGHT

SOURCE: <https://www.davidvillagelighting.co.uk/product/Terzani-Mizu-Singular-Pendant/10572>



PRODUCT DESCRIPTION

Designer: Terzani Lab

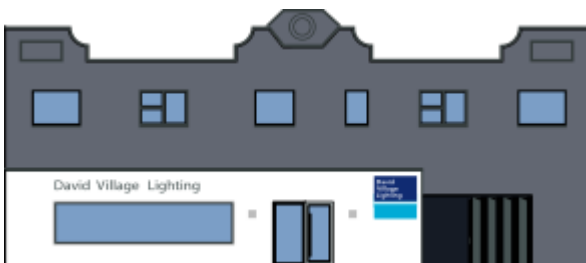
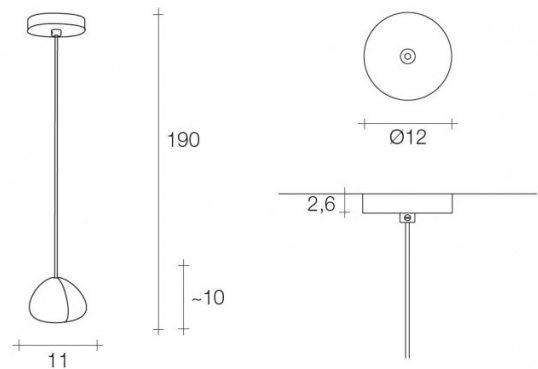
Terzani Mizu Singular Pendant

Designed in-house by Terzani's dedicated team, the Mizu Singular Pendant is a beautiful organic lighting solution for a variety of settings. Handcrafted from crystal glass and inspired by light refractions made by water, this pendant light casts beautiful lighting patterns around the room. The Terzani Mizu not only adds a touch of elegance to your interior but it also provides your space with an ambient and decorative illumination, perfect for bedrooms, living areas, kitchens and dining spaces.

Due to the manufacturing process, each Mizu Pendant is unique much like a waterdrop. The poetic aesthetic can adapt to contemporary and classic interiors and the exquisite glass diffuser appears to float in mid-air. Available in a clear, silver, gold, cognac or champagne finish the Terzani Mizu Singular Pendant Light is guaranteed to make a statement.

PRODUCT SPECIFICATION

- Light Source:** 1 x Max 10W G4 (excluded)
- IP Code:** 20
- Dimming:** Dimmable with Triac/IGBT dimming systems.
- Dimensions:** Diffuser: Ø11cm
Ceiling Canopy: Ø12cm
Cable Length: 180cm



For all sales and technical enquiries, please contact:

+44 (0)114 263 4266

info@davidvillagelighting.co.uk

www.davidvillagelighting.co.uk