

marset

Marset Atlas Ceiling / Wall Light

LA9529/C

SOURCE: <https://www.davidvillagelighting.co.uk/product/Marset-Atlas-Ceiling-Wall-Light/10540>

PRODUCT DESCRIPTION

Designer: Joan Gaspar

Marset Atlas Ceiling / Wall light

The Marset Atlas ceiling/wall light was designed by Joan Gaspar who is always looking for simplicity, artfulness and ingenuity in his designs. Gaspar says 'simplifying is always a complicated task that takes us away from the comfort zone. In fact, it is a challenge that I always prioritize in any project'. This mindset has led to designs such as this Atlas ceiling/wall lamp that transforms a common bulb into a spotlight. Made of transparent polycarbonate and a polyamide base, this spotlight can be directed and focused to light up a specific area.

This Marset ceiling and wall spotlight has been described as 'dressing up' a bulb in a moulded translucent suit that not only creates an eye catching design but also allows a greater output of light into a space. Mounted individually or as a cluster, this light has the ability to be placed on the wall or ceiling as it can be adjusted and directed with ease and precision.



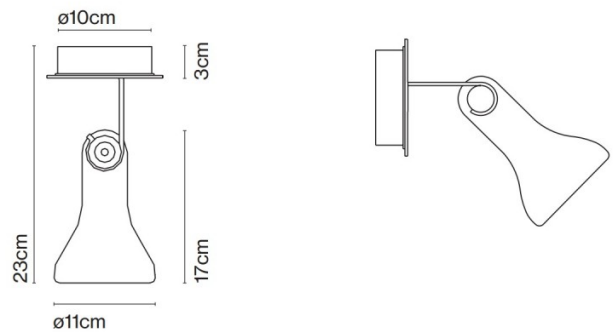
PRODUCT SPECIFICATION

Light Source: 1 x Max 10W E27 PAR30 LED (excluded)

IP Code: 20

Dimming: Dimmable via mains phase dimming.

Dimensions: Shade: Ø11cm
Shade Height: 17cm
Total Height: 23cm
Ceiling Plate: Ø10cm





For all sales and technical enquiries, please contact:

+44 (0)114 263 4266

info@davidvillagelighting.co.uk

www.davidvillagelighting.co.uk