

FLOS

Flos Gatto Table Lamp

LA9492

SOURCE: <https://www.davidvillagelighting.co.uk/product/Flos-Gatto-Table-Lamp/10503>



PRODUCT DESCRIPTION

**Designer:** Achille Castiglioni & Pier Giacomo Castiglioni

**Gatto Table Lamp by Flos**

The Gatto table lamp was designed in 1960 by brother design duo Achille Castiglioni and Pier Giacomo Castiglioni for Flos. The internal structure of the Gatto table light is made of white powder-coated steel while the diffuser is a cocoon cover made of synthetic resin fibre. The “cocoon” resin is sprayed with a transparent protective coat which is reminiscent of a caterpillars cocoon before it emerges as a butterfly.

The table lamp includes an dimmer switch on the cable with which the light intensity can be regulated in three steps. Available in a small and large size, the Gatto’s diffused and soft light output creates a comfortable atmosphere and is perfect for living areas, dining rooms or bedrooms.

PRODUCT SPECIFICATION

**Light Source:** **Small** - 1 x max 9W LED E14 (excluded)  
**Large** - 1 x max 11.5W LED E27 (excluded)

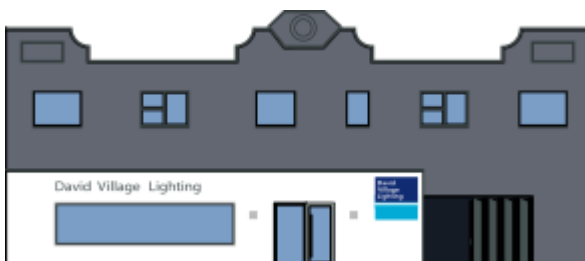
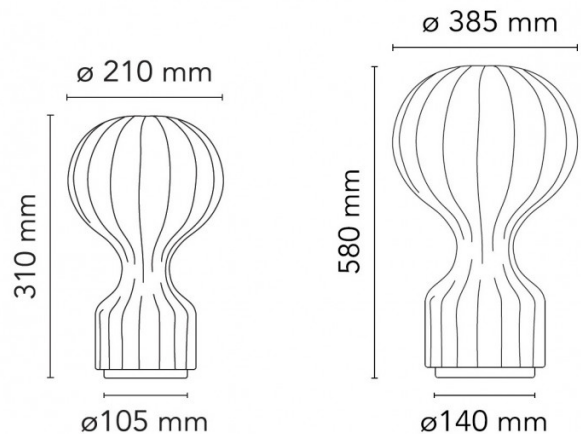
**IP Code:** 20

**Dimming:** In line dimmer included on cable

**Dimensions: Small:**  
Ø21cm top  
31cm height  
Ø10.5cm base

**Large:**  
Ø38.5cm top  
58cm height  
Ø14cm base

180cm cable length



**For all sales and technical enquiries, please contact:**

+44 (0)114 263 4266

info@davidvillagelighting.co.uk

www.davidvillagelighting.co.uk