

Ferm Living Collect High Socket Pendant Bell

LA11220/HS

SOURCE: <https://www.davidvillagelighting.co.uk/product/Ferm-Living-Collect-High-Socket-Pendant-Bell/10002281>



PRODUCT DESCRIPTION

Ferm Living Collect High Socket Pendant Bell

Part of Ferm Living's Collect Lighting series, the Collect High Socket Pendant Bell offers a bold and elegant lighting solution. Its powder-coated metal shade has a soft, curved bell shape that enhances the organic yet modern feel of the design. The high socket version creates a taller silhouette, making it a striking focal point for dining areas, living rooms, or entryways.

The pendant is paired with a powder-coated metal socket, available in multiple finishes to complement a variety of interior styles. A 3-metre fabric-covered cord, a coordinating ceiling canopy, and a decorative metal ring complete the refined aesthetic. With dimmable functionality, this pendant allows for adaptable lighting to suit different moods and settings.

Please note, this product is also available in a [Low Socket version](#), an [Opal Shade version](#) and a [Brass Shade version](#).

PRODUCT SPECIFICATION

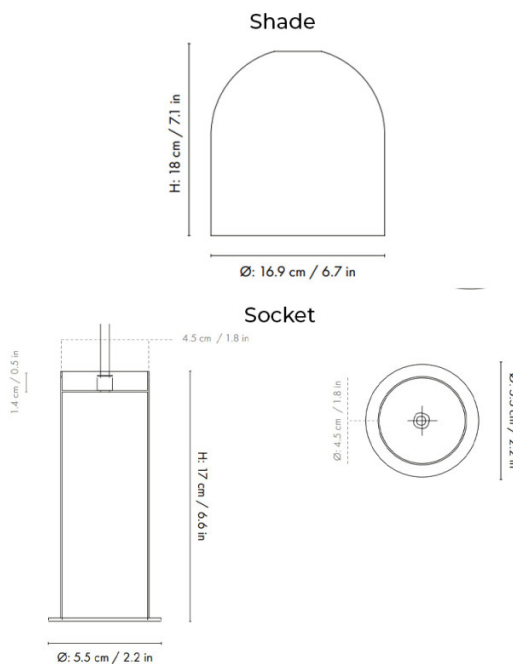
Light Source: 1 x Max 13W LED E27 (Excluded)

IP Code: 20

Dimming: Dimmable via mains phase dimming.

Dimensions: Socket Height: 17cm
Socket: Ø5.5cm
Shade Height: 18cm
Shade: Ø16.9cm

Cable Length: 300cm





For all sales and technical enquiries, please contact:

+44 (0)114 263 4266

info@davidvillagelighting.co.uk

www.davidvillagelighting.co.uk