

Tom Raffield

Tom Raffield Urchin Wall Light

LA11212

SOURCE: <https://www.davidvillagelighting.co.uk/product/Tom-Raffield-Urchin-Wall-Light/10002261>

PRODUCT DESCRIPTION

Designer: Tom Raffield

Tom Raffield Urchin Wall Light

The Urchin Wall Light is inspired by seashells washed up on the Cornish shores by Tom Raffield's studio. Its oval structure and organic curves soften spaces and add a touch of fun and comfort to any room. Each wall light is created using 17 petals of timber carefully fused with laser-cut birch plates, concealing the light source within. When illuminated, pockets of light escape from the gaps in the wood, creating pools of brightness that surround the shade. The organic-looking curves are achieved through steam-bending, a method using water and heat that allows wood to be bent and twisted beyond perceivable limits.

The Urchin Wall Light is available in three natural finishes: ash, oak, and walnut. The warm tones of ash and oak are a perfect complement to spaces with a light and airy décor. Walnut is the darkest finish of the three and its rich tones add a touch of warmth and a cozy ambiance to any interior, perfect for creating a sanctuary within your home. Install in multiples lining a hallway to add a welcoming atmosphere to the space. Alternatively, install in pairs framing a doorway to create a sense of balance.



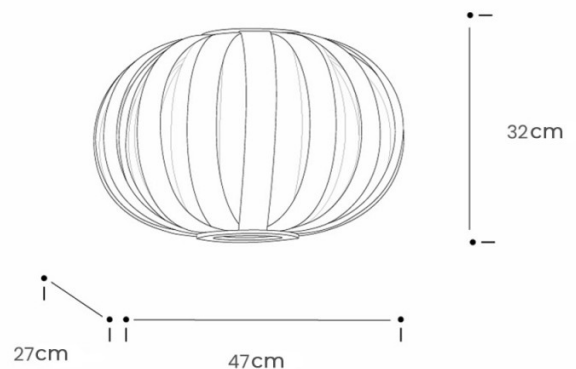
PRODUCT SPECIFICATION

Light Source: 1 x Max 25W E27 LED (Excluded)

IP Code: 20

Dimming: Dimmable using trailing edge dimming.

Dimensions: Height: 32cm
Width: 47cm
Depth: 27cm





For all sales and technical enquiries, please contact:

+44 (0)114 263 4266

info@davidvillagelighting.co.uk

www.davidvillagelighting.co.uk