

Tom Raffield

# Tom Raffield Stem Table Lamp

LA11206

SOURCE: <https://www.davidvillagelighting.co.uk/product/Tom-Raffield-Stem-Table-Lamp/10002250>



## PRODUCT DESCRIPTION

**Designer:** Tom Raffield

### Tom Raffield Stem Table Lamp

The Stem Table Lamp's understated appearance perfectly balances form and function. Each piece is expertly handcrafted in Tom Raffield's Cornish studio and steam-bent to achieve the stem's smooth curve. This low-waste, low-tech method is used as it allows the studio to produce sculptural pieces while staying in line with their mission to create products responsibly. As an eco-conscious company, Tom Raffield also ensures that the timber used in their designs is always sustainably sourced.

The exposed flex and brass detailing offer a striking contrast against the natural grains of the wood. The warm tones of oak suit a range of interiors, both modern and traditional. Due to its timeless finish, oak remains a popular choice in interior design. When illuminated, the Stem Table Lamp is basked in a warm, ambient glow. Light permeates the wooden shade, highlighting the unique grains of the oak. The glare-free, downward directional lighting is well suited for task lighting on a desk or a side table as a reading light. Complete the look with the [Stem Floor Lamp](#) and [Stem Wall Light](#) for a unifying theme.

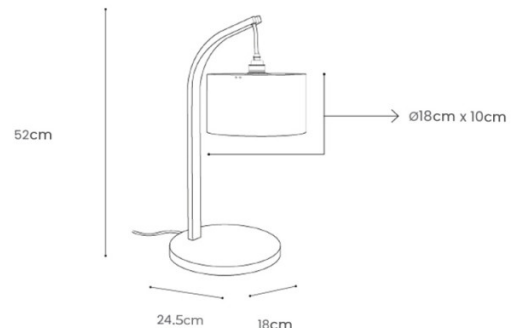
## PRODUCT SPECIFICATION

**Light Source:** 1 x Max 25W E27 LED (Excluded)

**IP Code:** 20

**Dimming:** In-line on/off switch included on cable.

**Dimensions:** Ø18cm  
 Height: 52cm  
 Depth: 24.5cm  
 Shade Height: 10cm  
 Cable length: 228cm from plug to bulb holder.





**For all sales and technical enquiries, please contact:**

+44 (0)114 263 4266

[info@davidvillagelighting.co.uk](mailto:info@davidvillagelighting.co.uk)

[www.davidvillagelighting.co.uk](http://www.davidvillagelighting.co.uk)