

FLOS

LA8005/K

# Flos Arco K Special Edition Floor Lamp

SOURCE: <https://www.davidvillagelighting.co.uk/product/Flos-Arco-K-Special-Edition-Floor-Lamp/10002246>

## PRODUCT DESCRIPTION

Designer: Achille Castiglioni

### Flos Arco K Special Edition Floor Lamp

**This product is an Offline Only exclusive, available only to buy from selected authorised Flos dealers. Please [contact us](#) for pricing or to arrange an appointment to discuss this product in our [showroom](#).**

An evolution of the iconic [Flos Arco Floor Lamp](#) and released to celebrate the design's 60th anniversary, this special edition features the same influential silhouette and overhanging lamp head, but with an elegant solid glass base. Using a process that didn't exist 60 years ago, the Arco K 2022 Limited Edition shines a light on the structure of the lamp itself, drawing the gaze along the all-important arc to the innovative crystal block. In every other respect, the Arco lamp that we know and love remains unchanged.

Where a block of marble previously sat, the Flos Arco K Floor Lamp utilises a sleek transparent glass block that makes a statement in any room it is displayed. Designed by Achille Castiglioni, the Arco K Special Edition Floor Lamp provides direct lighting, suspending a rounded shade from a satin-finish stainless steel telescopic stem, boasting polished and zapon-varnished aluminum swiveling and a height-adjustable reflector. This contemporary lighting solution is a striking addition to lounges, offices and dining rooms in residential properties, whilst also adding a modernistic touch to commercial spaces.



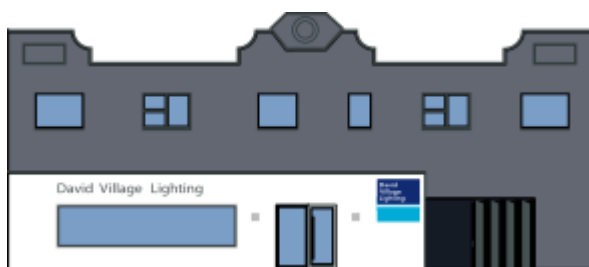
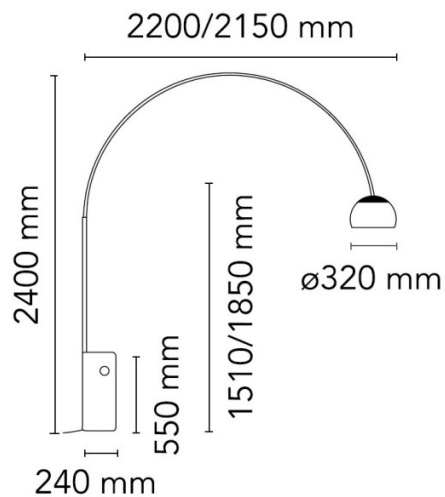
## PRODUCT SPECIFICATION

**Light Source:** 1 x Max 11W E27 LED (Included)

**IP Code:** 20

**Dimming:** In-line on/off switch included on the cable.

**Dimensions:** Shade: Ø32cm  
Height: 240cm  
Width: 220cm  
Base Width: 24cm  
Base Height: 55cm  
Cable Length: 250cm



**For all sales and technical enquiries, please contact:**

+44 (0)114 263 4266

[info@davidvillagelighting.co.uk](mailto:info@davidvillagelighting.co.uk)

[www.davidvillagelighting.co.uk](http://www.davidvillagelighting.co.uk)