

Tom Raffield

# Tom Raffield Noctis Mooring Table Lamp

LA11184

SOURCE: <https://www.davidvillagelighting.co.uk/product/Tom-Raffield-Noctis-Mooring-Table-Lamp/10002222>

## PRODUCT DESCRIPTION

Designer: Tom Raffield

### Tom Raffield Noctis Mooring Table Lamp

The Noctis Mooring Table Lamp sees Tom Raffield's iconic Mooring Collection take on a whole new aesthetic. The wood has been ebonised to create a darker, rich effect that exudes depth and luxury. Handcrafted in their Cornish-based studio, the familiar profile of the Mooring Table Lamp is achieved through expertly steam-bending the wood into its desired shape. Tom Raffield's studio is eco-friendly, and the process of steam-bending aligns with Raffield's ethos as it is low-energy and low-wastage. Each piece of timber is sustainably sourced and finished with eco-friendly natural wax oils to protect the grain.

The exposed bulb casts out a bright, uninterrupted light that fills the space around it in a warm, ambient light. Display the Noctis Mooring Light on a light oak table to create a striking contrast of colours. The play between light and dark can elevate a room by creating character and depth. Its sleek profile is perfectly suited for contemporary interiors with a minimalistic décor. Innovative, bold, and balanced, the Noctis Mooring Table Light is expertly crafted with care using high-quality materials to last a lifetime.



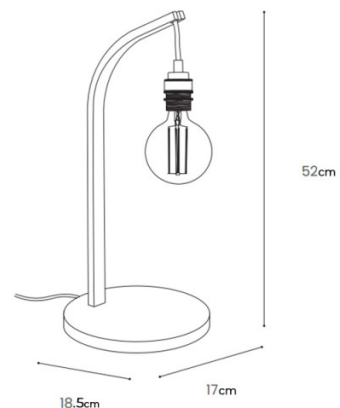
## PRODUCT SPECIFICATION

**Light Source:** 1 x Max 25W E27 LED (Excluded)

**IP Code:** 20

**Dimming:** In-line on/off switch included on cable.

**Dimensions:** Height: 52cm  
Width: 18.5cm  
Length: 17cm  
Cable Length: 228cm from plug to bulb holder.





**For all sales and technical enquiries, please contact:**

+44 (0)114 263 4266

[info@davidvillagelighting.co.uk](mailto:info@davidvillagelighting.co.uk)

[www.davidvillagelighting.co.uk](http://www.davidvillagelighting.co.uk)