

Tom Raffield

# Tom Raffield Stem Floor Lamp

LA11182

SOURCE: <https://www.davidvillagelighting.co.uk/product/Tom-Raffield-Stem-Floor-Lamp/10002218>

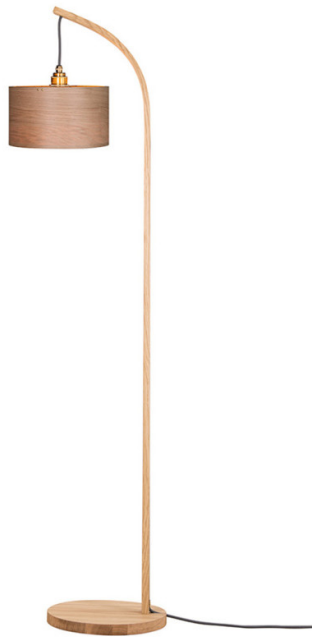
## PRODUCT DESCRIPTION

Designer: Tom Raffield

### Tom Raffield Stem Floor Lamp

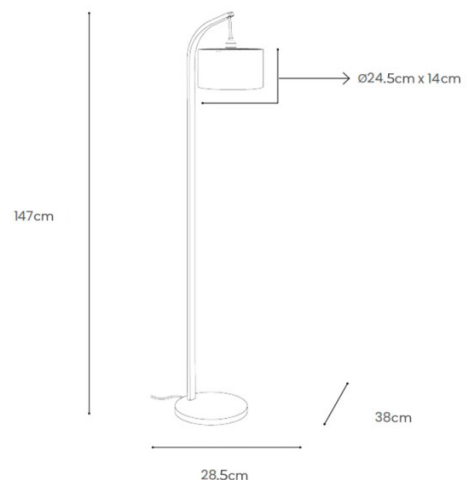
Designed by Tom Raffield, the Stem Floor Light is expertly handcrafted from his studio in Cornwall. The bowed head of the frame is achieved by steam-bending oak, a process that Tom Raffield is renowned for. Steam-bending is a low-wastage, low-energy method of bending an otherwise solid timber that works in conjunction with Raffield's eco-friendly ethos. A textile cord runs from the plug to the base, and along the outside of the wooden frame to the brass fitting that houses the bulb, a sleek design choice that leaves the Stem's profile uncluttered and free from any unnecessary details.

The Stem Floor Light is fitted with an oak shade that directs light downward, perfect for task lighting in an office or a reading light next to a sofa. When illuminated, light permeates through the shade, creating a golden glow that fills the room with ambient lighting. Oak is a popular choice for furniture and lighting designs due to its durable properties and versatility, its warm tones fitting into a range of decoration schemes. The Stem Floor Light is a perfect balance between form and function, its natural elegance offering understated design at its best.



## PRODUCT SPECIFICATION

- Light Source:** 1 x Max 25W E27 LED (Excluded)
- IP Code:** 20
- Dimming:** In-line dimmer included on cable.
- Dimensions:** Shade Ø24.5cm  
 Shade Height: 14cm  
 Full Height: 147cm  
 Width: 38cm  
 Depth: 28.5cm  
 Cable length: 240cm from switch to bulb holder.  
 115cm from switch to plug.





**For all sales and technical enquiries, please contact:**

+44 (0)114 263 4266

[info@davidvillagelighting.co.uk](mailto:info@davidvillagelighting.co.uk)

[www.davidvillagelighting.co.uk](http://www.davidvillagelighting.co.uk)