

Tom Raffield

# Tom Raffield Skipper Floor Lamp

LA11176

SOURCE: <https://www.davidvillagelighting.co.uk/product/Tom-Raffield-Skipper-Floor-Lamp/10002209>

## PRODUCT DESCRIPTION

Designer: Tom Raffield

### Tom Raffield Skipper Floor Pendant

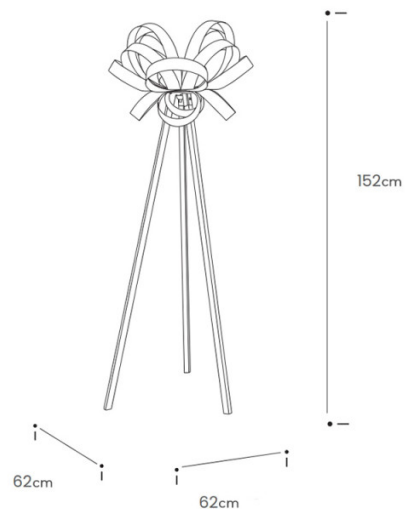
The Skipper Floor Light is part of Tom Raffield's iconic Skipper Collection. Handcrafted from sustainably sourced timber, each floor light is available in an oak or walnut finish. Oak is the lighter of the two and a popular choice of wood in home furnishings due to its warm tones and durability. The bright glow of the illuminated inner wood and the darker wood outside produce a striking contrast. Alternatively, walnut is a darker wood with a much richer finish. When illuminated it glows a deep golden colour, creating a warm and comforting atmosphere.

Each Skipper Floor Light is created using twenty pieces of steam-bent timber to achieve the iconic intertwining loops synonymous with the collection. This wooden shade partially encloses the light source, creating a play of light and shadow as light is cast from within. The intriguing pockets of light along with the sculptural nature of the design offer a balance of composure and sophistication, perfect for creating a sanctuary within your home. Display in a lounge for atmospheric mood lighting on its own or alongside the Skipper Pendant for a unifying theme.



## PRODUCT SPECIFICATION

- Light** 1 x Max 25W E27 LED (Excluded)
- Source:**
- IP Code:** 20
- Dimming:** In-line on/off switch included on cable.
- Dimensions:** Height: 152cm  
Width: 62cm  
Depth: 62cm  
Cable Length: 240cm from switch to bulb holder,  
115cm from switch to plug.





**For all sales and technical enquiries, please contact:**

+44 (0)114 263 4266

[info@davidvillagelighting.co.uk](mailto:info@davidvillagelighting.co.uk)

[www.davidvillagelighting.co.uk](http://www.davidvillagelighting.co.uk)