

Tom Raffield

Tom Raffield Shore Pendant

LA11175

SOURCE: <https://www.davidvillagelighting.co.uk/product/Tom-Raffield-Shore-Pendant/10002207>



PRODUCT DESCRIPTION

Designer: Tom Raffield

Tom Raffield Shore Pendant

Inspired by nature, Tom Raffield's Shore Pendant represents the strong, seamless motions of the sea. The timber rolls and intertwines in fluid movements, reminiscent of a barrel of a waking wave. The shade is crafted from sustainably sourced ash, oak, or walnut, which is steam-bent to create its organic-looking form. The process of steam-bending allows for the timber to be twisted and curved into seemingly impossible shapes without the use of any glues or unattractive fastenings.

The Shore Pendant is designed to look different from every angle. The center of the shade contains the light source, which is left partially exposed. This creates intriguing pockets of light that are cast against surrounding walls. The warm, ambient glow and sculptural form make the Shore Pendant perfect for creating a sanctuary within your home. Install above a bed to add a cosy atmosphere to the space or in a living room for an eye-catching talking point. Capture the essence of the coastline by displaying the Shore Pendant in an interior with a neutral colour palette to reflect the breezy atmosphere of sandy shores.

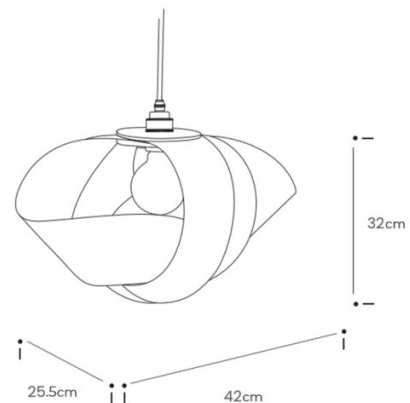
PRODUCT SPECIFICATION

Light Source: 1 x Max 25W E27 LED (Excluded)

IP Code: 20

Dimming: Dimmable using trailing edge dimming.

Dimensions: Height: 32cm
Width: 42cm
Depth: 25.5cm
Cable Length: 200cm





For all sales and technical enquiries, please contact:

+44 (0)114 263 4266

info@davidvillagelighting.co.uk

www.davidvillagelighting.co.uk