

Tom Raffield

Tom Raffield Neap Wall Light

LA11173

SOURCE: <https://www.davidvillagelighting.co.uk/product/Tom-Raffield-Neap-Wall-Light/10002203>

PRODUCT DESCRIPTION

Designer: Tom Raffield

Tom Raffield Neap Wall Light

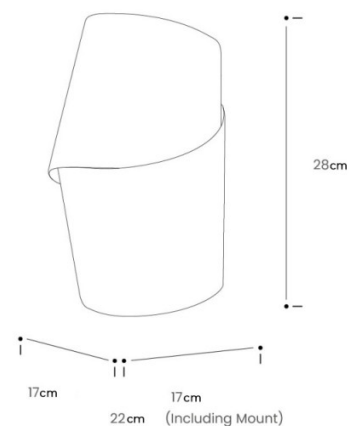


The Neap Wall Light is designed and hand-crafted from Tom Raffield's studio in Cornwall. Known for his love of nature, Raffield often looks to the world around him for inspiration, and the Neap Wall Light is no exception. Born from the barrel of a rolling wave, the Neap is inspired by the tides that lap the Cornish coastline. Created from a single piece of oak or walnut timber, which is tightly wrapped around itself to form the rounded structure. When illuminated, the wooden structure glows from within, bringing life to the piece. The open top and bottom of the luminaire allow light to spill out, bathing the wall it sits on in a warm and ambient glow. Oak, the lighter of the two finishes, is a popular choice for furnishings, with its warm hues complimenting a variety of interiors. Walnut is a darker, richer finish that exudes luxury and creates a striking display.

Tom Raffield steam-bends timber to achieve the seamless curves of the Neap Wall Light. This process allows for an otherwise solid wood to be wrapped and bent into curves without the use of glues or unattractive fastenings. The result is a sleek and contemporary-looking profile free from any unnecessary details. Display the Neap Wall Light in multiples, running the length of a hallway to fill the space in a welcoming light. Alternatively, install in pairs on either side of a bed to create a cosy ambiance in a bedroom. Expertly hand-crafted sustainably, the Neap Wall Light is a perfect lighting solution for adding mood lighting and an eye-catching display in both domestic and commercial spaces.

PRODUCT SPECIFICATION

- Light Source:** 1 x Max 25W E27 LED (Excluded)
- IP Code:** 20
- Dimming:** Dimmable using trailing edge dimming.
- Dimensions:** Height: 28cm
Length: 17cm
Width (including mount): 22cm





For all sales and technical enquiries, please contact:

+44 (0)114 263 4266

info@davidvillagelighting.co.uk

www.davidvillagelighting.co.uk