

Tom Raffield

Tom Raffield Hanter Table Lamp

LA11168

SOURCE: <https://www.davidvillagelighting.co.uk/product/Tom-Raffield-Hanter-Table-Lamp/10002196>

PRODUCT DESCRIPTION

Designer: Tom Raffield

Tom Raffield Hanter Table Lamp

Tom Raffield designed the Hanter Table Light for his Cornish-based studio of the same name. It's seemingly simple design features an arc of oak that sits on a solid timber base. A textile cord runs along the outside of the curve to the tip, from where a solitary bulb hangs. The brass fitting adds a contemporary aesthetic to an otherwise natural form. Tom Raffield creates the curvature of the wood through a process of steam-bending. This method makes a typically tough hardwood supple and versatile, allowing it to be bent and twisted into seemingly impossible forms.

The Hanter Table Light emits a bright light that fills the space around it. The sleek, minimalistic aesthetic allows it to fit seamlessly into contemporary interiors. This versatile design makes it a perfect addition when creating a cohesive display in your home. Its clean lines create a striking counterpoint against Tom Raffield's sculptural pieces such as the [Butterfly Pendant](#), offering a grounding presence to the complex design. Display on a bedside, next to a sofa, or on a desk for a functional light that adds a warm and welcoming ambiance to the room. Inspired by nature and with a focus on sustainability, Tom Raffield has created the Hanter Table Light to last a lifetime.



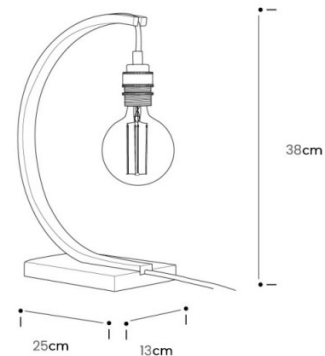
PRODUCT SPECIFICATION

Light Source: 1 x Max 25W E27 LED (Excluded)

IP Code: 20

Dimming: In-line on/off switch included on cable.

Dimensions: Height: 38cm
Length: 25cm
Depth: 13cm
Cable Length: 228cm from plug to bulb holder.





For all sales and technical enquiries, please contact:

+44 (0)114 263 4266

info@davidvillagelighting.co.uk

www.davidvillagelighting.co.uk