

CLEARANCE
OFFERS

LA3046/CLEAR

KDLN Kushi 33 Suspension CLEARANCE EX-DISPLAY

SOURCE: <https://www.davidvillagelighting.co.uk/product/KDLN-Kushi-33-Suspension-CLEARANCE-EX-DISPLAY/10002171>



PRODUCT DESCRIPTION

Designer: Alberto Saggia & Valerio Sommella

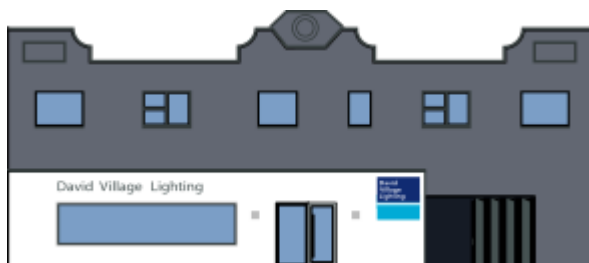
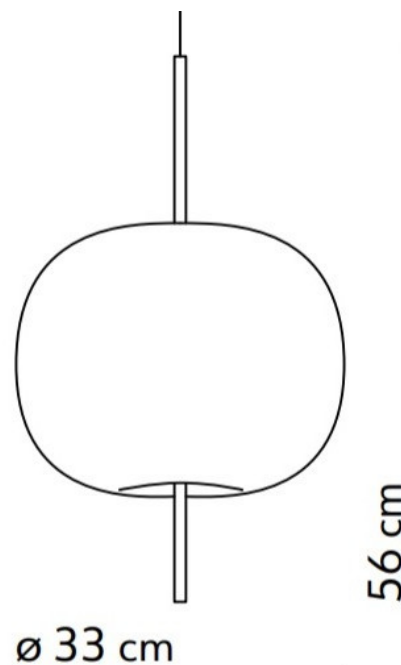
KDLN Kushi Suspension Light

EX-DISPLAY, IN GREAT CONDITION.
BOXED IN A-GRADE NON-ORIGINAL PACKAGING.
1 x Brass Available.

The KDLN Kushi suspension was designed by Alberto Saggia & Valerio Sommella after being inspired by Japanese cuisine. Kushi, meaning skewer in Japanese, features a double-layered opal glass shade that appears to be skewered by a metal rod. This abstract shape emulates the simplicity of Japanese design as only two elements create this stunning fixture. The Kushi suspension can be hung above a table or hallway as an individual item or as a cluster. The metallic finish adds a luxurious touch to your interior.

PRODUCT SPECIFICATION

- Light Source:** 1 x Max 30W E27 (excluded)
IP Code: 20
Dimming: Dimmable via phase cut dimming systems.
Dimensions: Ø33cm
 Height: 56cm
 Ceiling Canopy: 12.5cm
 Cable Length: 180cm



For all sales and technical enquiries, please contact:

+44 (0)114 263 4266

info@davidvillagelighting.co.uk

www.davidvillagelighting.co.uk