

CLEARANCE
OFFERS

LA10628/F/CLEAR

Mater Ray Floor Lamp

CLEARANCE EX-DISPLAY

SOURCE: <https://www.davidvillagelighting.co.uk/product/Mater-Ray-Floor-Lamp-CLEARANCE-EX-DISPLAY/10002164>



PRODUCT DESCRIPTION

Designer: PEDERJESSEN

Mater Ray Floor Lamp

EX-DISPLAY, SIGNS OF WEAR AND TEAR. SEE IMAGES FOR EXACT CONDITION.

BOXED IN A-GRADE NON-ORIGINAL PACKAGING.
1 x White Available.

The Mater Ray floor lamp is an example of Nordic minimalism and materialism. The simple combination of steel and oak together creates a raw and authentic aesthetic that demonstrates the pure beauty of raw materials. The soft oak and the sturdy steel create a beautifully innovative contrast that characterises this floor lamp.

The Scandinavian functionality of this lamp comes from the adjustability of the oak shade. Magnets are used inside the steel dome to attach the oak shade within the dome. This allows the user to manoeuvre the beam of light to wherever it is needed. Ideal for a workspace or reading nook to bring direct and purposeful light to your space.

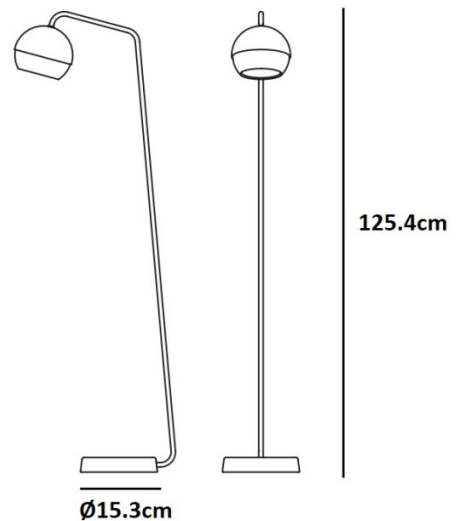
PRODUCT SPECIFICATION

Light Source: 1 x Max 5W LED GU9 (excluded)

IP Code: 20

Dimming: In-line on/off switch included on the cable.

Dimensions: Height: 125.4cm
Base: Ø15.3cm
Cable Length: 200cm





For all sales and technical enquiries, please contact:

+44 (0)114 263 4266

info@davidvillagelighting.co.uk

www.davidvillagelighting.co.uk