

CTO LIGHTING

CTO Lighting Torres Ceiling Light

LA11135/C

SOURCE: <https://www.davidvillagelighting.co.uk/product/CTO-Lighting-Torres-Ceiling-Light/10002138>

PRODUCT DESCRIPTION

Designer: CTO Lighting

CTO Lighting Torres Ceiling Light

The CTO Lighting Torres Ceiling Light reimagines classic architectural forms for modern interiors. Inspired by the grandeur of ancient towers, its sleek conical shade symbolises strength and elegance. Handcrafted in the UK, the Torres Ceiling Light is available in luxurious finishes, including polished nickel, bronze, and alabaster. The alabaster shade diffuses light for a gentle glow, while the metallic finishes provide a bold, architectural presence.

Designed for versatility, this ceiling light can enhance various spaces, from bathrooms to living rooms. Its strong downward illumination makes it ideal for spotlighting tables, entryways, or central features. With options for IP20 and IP44 ratings, the Torres Ceiling Light adapts seamlessly to residential and commercial settings, including wetrooms. A sophisticated choice for those seeking understated luxury in their lighting.



PRODUCT SPECIFICATION

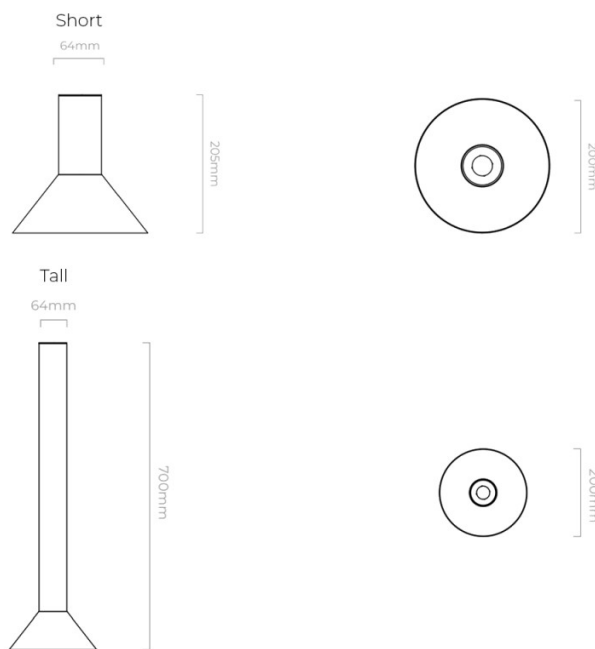
Light Source: **Bronze & Polished Nickel:** 1 x Max 9.6W GU10 LED (Excluded)
Bronze / Alabaster: 1 x Max 4.5W GU10 LED (Excluded)

IP Code: 20/44

Dimming: Dimmable using trailing edge dimming / Dimmable via Dali dimming systems. Please consult your electrician, additional wiring may be required on site. (Dimmable bulb required)

Dimensions: Short Pendant:
 Shade: Ø20cm
 Height: 20.5cm
 Base: Ø6.4cm

Tall Pendant:
 Shade: Ø20cm
 Height: 70cm
 Base: Ø6.4cm





For all sales and technical enquiries, please contact:

+44 (0)114 263 4266

info@davidvillagelighting.co.uk

www.davidvillagelighting.co.uk