

Resident

# Resident Circus 500 LED Pendant

LA5558/500

SOURCE: <https://www.davidvillagelighting.co.uk/product/Resident-Circus-500-LED-Pendant/10002125>



## PRODUCT DESCRIPTION

**Designer:** Resident Studio

## Resident Circus 500 LED Pendant

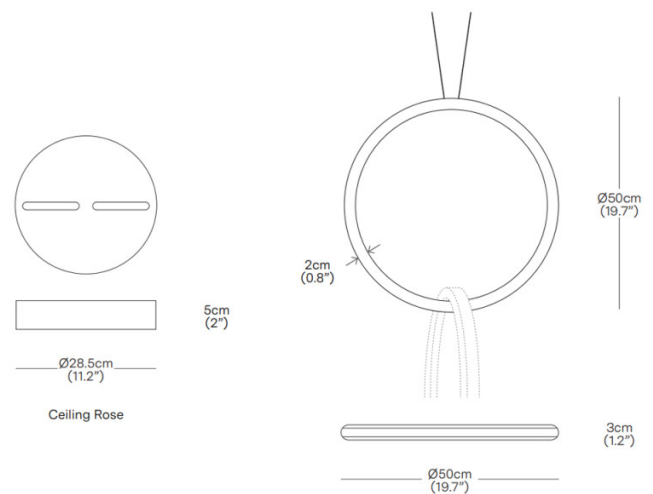
The Resident Circus 500 LED Pendant Light is an elegant addition to the Circus collection by Resident Studio. Featuring interconnected LED rings, each measuring 50cm in diameter, this pendant delivers a warm, diffused 360° glow. Available in configurations of 2 to 7 rings, the Circus 500 strikes a perfect balance between the compact 250 model and the larger 750 option, offering flexibility for various interior designs.

Finished in black or brass, the Circus 500 pendant combines modern aesthetics with innovative functionality. This striking fixture is ideal for residential and commercial settings, serving as a standalone focal point or as part of a larger arrangement. Handmade in New Zealand, it exemplifies Resident Studio's dedication to superior craftsmanship and timeless design.

**Please note, this product is also available in Three, Four and Six Ring configurations, as well as a black finish across all sizes, please [contact us](#) for further information and pricing.**

## PRODUCT SPECIFICATION

- Light Source:** **Two Ring:** 3 x 19.2W, 3000K, 2304 Lumens  
**Five Ring:** 5 x 19.2W, 3000K, 2304 Lumens
- IP Code:** 20
- Dimming:** Dimmable via 1-10v dimming systems. Please consult your electrician, additional wiring may be required on site.
- Dimensions:** **Two Ring:**  
Shade: Ø50cm  
Shade Height: 96cm
- Five Ring:**  
Shade: Ø50cm  
Shade Height: 234cm
- Canopy (All Sizes): Ø28.5cm  
Canopy Height (All Sizes): 5cm  
Cable Length (All Sizes): 30-500cm





**For all sales and technical enquiries, please contact:**

+44 (0)114 263 4266

[info@davidvillagelighting.co.uk](mailto:info@davidvillagelighting.co.uk)

[www.davidvillagelighting.co.uk](http://www.davidvillagelighting.co.uk)