



Moooi Luminora Pendant Light

LA11128

SOURCE: <https://www.davidvillagelighting.co.uk/product/Moooi-Luminora-Pendant-Light/10002102>



PRODUCT DESCRIPTION

Designer: Cristina Celestino

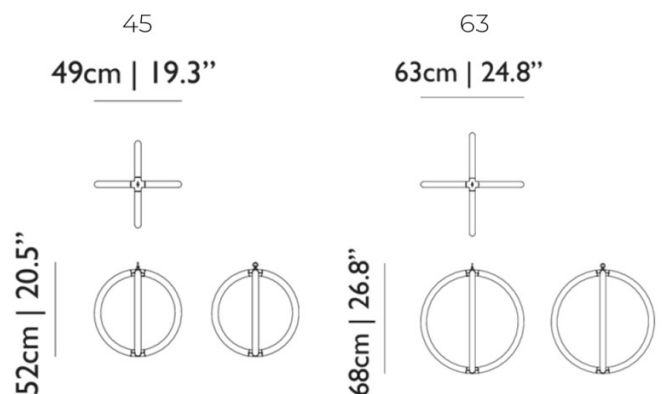
Moooi Luminora Pendant Light

Designed by Cristina Celestino, the Moooi Luminora Pendant redefines lighting as an art form, blending geometric precision with timeless elegance. Inspired by the golden ratio and the heritage of Murano chandeliers, this pendant light creates an optical illusion of glass without using glass. Its faceted polycarbonate tubes, paired with champagne-finished brackets, form a luminous sculpture that exudes sophistication. The V-shaped diamond patterns project a captivating light effect, bringing depth and character to any room.

Available in two sizes, 45 and 63, the Luminora Pendant suits a variety of spaces, from dining rooms to commercial interiors. It comes with advanced dimming capabilities, compatible with DALI dt6, 0-10V, Wireless Wall Switch, and Push/Pulse dimming systems, offering unparalleled control over light intensity. Perfect as a statement piece or clustered in installations, the Luminora Pendant delivers both functionality and artistic brilliance.

PRODUCT SPECIFICATION

- Light Source:** 45: 30W, 2810K, 1760 Lumens
63: 40W, 2790K, 2790 Lumens
- IP Code:** 20
- Dimming:** Dimmable using trailing edge. Alternatively dimmable via 1-10V dimming systems. For 1-10V dimming, please consult your electrician, additional wiring may be required on site.
- Dimensions:**
 - 45:**
Height: 52cm
Width: 49cm
 - 63:**
Height: 68cm
Width: 63cm
- Cable Length (Both Sizes):** 250cm





For all sales and technical enquiries, please contact:

+44 (0)114 263 4266

info@davidvillagelighting.co.uk

www.davidvillagelighting.co.uk