

LYFA

LYFA Pan Pendant

LA11112/PL

SOURCE: <https://www.davidvillagelighting.co.uk/product/LYFA-Pan-Pendant/10002067>



PRODUCT DESCRIPTION

Designer: Bent Karlby

LYFA Pan Pendant

Crafted by renowned Danish designer Bent Karlby, the LYFA Pan Pendant offers both functional lighting and a striking artistic presence. Designed in 1970, this pendant showcases polished aluminium pipes arranged in a tubular structure reminiscent of a pan flute. Each pipe allows light to radiate along the glossy exterior, providing a beautiful contrast between direct downlighting and soft ambient illumination through the open top.

Available in two sizes, 190 and 300, the Pan Pendant is an ideal feature for creating a balanced lightscape in any interior, whether displayed individually or in multiples. Available in anodised aluminium and an elegant bronze finish, this pendant is an expression of Karlby's mid-century aesthetic, updated with a refined finish to suit contemporary settings. With its thoughtful design and crafted aluminium structure, the Pan Pendant embodies timeless elegance and versatility.

PRODUCT SPECIFICATION

Light Source: 1x Max 60W E27 (Excluded)

IP Code: 20

Dimming: Dimmable using trailing edge dimming.

Dimensions: 190:

Height: 32cm

Shade: Ø19cm

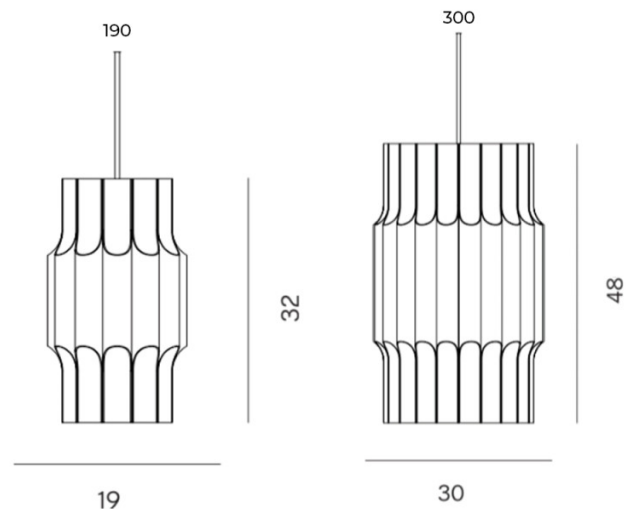
Cable Length: 300cm

300:

Shade: Ø30 cm

Height: 48cm

Cable Length: 600cm





For all sales and technical enquiries, please contact:

+44 (0)114 263 4266

info@davidvillagelighting.co.uk

www.davidvillagelighting.co.uk