

LYFA

# LYFA Pan 190 Table Lamp

LA11112/190TL

SOURCE: <https://www.davidvillagelighting.co.uk/product/LYFA-Pan-190-Table-Lamp/10002066>

## PRODUCT DESCRIPTION

**Designer:** Bent Karlby

### LYFA Pan 190 Table Lamp

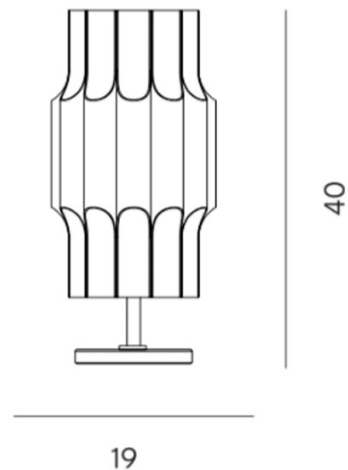
The LYFA Pan 190 Table Lamp, designed by Bent Karlby in 1970, epitomises the Danish designer's dedication to geometric simplicity and ambient lighting. This table lamp's open tubular structure creates a striking silhouette, with the anodised aluminium finish beautifully illuminating from within. Offering a soft downlight for practical use and ambient uplight through the open top, this piece brings refined functionality to any desktop, side table, or bedside.

Available in aluminium or bronze finishes, the Pan 190 Table Lamp pairs durable materials with LYFA's meticulous craftsmanship. Perfect as a reading light or decorative feature, it reflects Karlby's influence on mid-century design while seamlessly fitting into modern interiors. Its timeless aesthetic makes it ideal for residential and professional spaces alike.



## PRODUCT SPECIFICATION

- Light Source:** 1x Max 60W E27 (Excluded)
- IP Code:** 20
- Dimming:** In line on/off switch included on cable.
- Dimensions:** Shade: Ø19cm  
Height: 32cm  
  
Cable Length: 300cm



**For all sales and technical enquiries, please contact:**

+44 (0)114 263 4266

[info@davidvillagelighting.co.uk](mailto:info@davidvillagelighting.co.uk)

[www.davidvillagelighting.co.uk](http://www.davidvillagelighting.co.uk)