

LEE BROOM

Lee Broom Alchemist Solstice Duo Pendant

LA11100/SDP

SOURCE: <https://www.davidvillagelighting.co.uk/product/Lee-Broom-Alchemist-Solstice-Duo-Pendant/10002041>



PRODUCT DESCRIPTION

Designer: Lee Broom

Lee Broom Alchemist Solstice Duo Pendant

The Solstice Duo Pendant is a stunning creation from Lee Broom's Alchemist collection, inspired by the spiritual alignment of Stonehenge during the solstices. This pendant light features two opal glass globes framed by square brass structures, mirroring the monumental forms of the ancient stone circle.

Combining 1960s lighting design with the timeless elegance of brass, the Solstice Duo Pendant offers a contemporary yet classic lighting solution. Suspended from a fabric cable, this pendant can be installed individually or as part of a larger arrangement, making it a versatile choice for living rooms, dining spaces, and commercial interiors.

PRODUCT SPECIFICATION

Light Source: 2 x Max 3W G9 LED (Included)

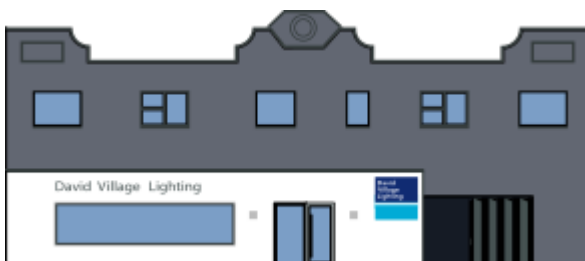
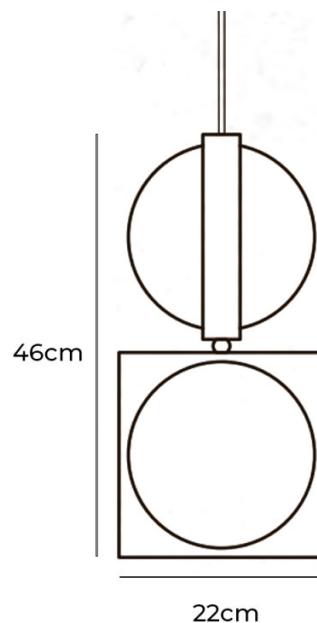
IP Code: 20

Dimming: Dimmable via Triac dimming.

Dimensions: Pendant:
Height: 46cm
Width: 22cm
Diameter: 20cm

Canopy:
Diameter: 12cm
Height: 5cm

Cable length: Max 300cm (adjustable)



For all sales and technical enquiries, please contact:

+44 (0)114 263 4266

info@davidvillagelighting.co.uk

www.davidvillagelighting.co.uk