

LEE BROOM

Lee Broom Alchemist Solstice Pendant

LA11100/SP

SOURCE: <https://www.davidvillagelighting.co.uk/product/Lee-Broom-Alchemist-Solstice-Pendant/10002040>



PRODUCT DESCRIPTION

Designer: Lee Broom

Lee Broom Alchemist Solstice Pendant

Inspired by the mysticism and alignment of Stonehenge during the summer and winter solstices, the Solstice Pendant from the Alchemist collection embodies a harmonious balance of light and structure. The illuminated opal glass globe is encased in a square brass frame, echoing the monolithic forms of the ancient stone circle. Taking cues from mid-century lighting design, the Solstice Pendant combines the timeless appeal of blackened brass with the innovative geometry of modern lighting.

The pendant can be hung individually or in clusters to create a striking feature. This piece is perfect for adding an aura of warmth and spirituality to dining areas, living spaces, or commercial interiors.

PRODUCT SPECIFICATION

Light Source: 1 x Max 3W G9 LED (Included)

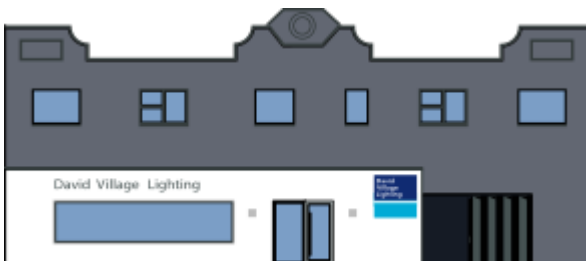
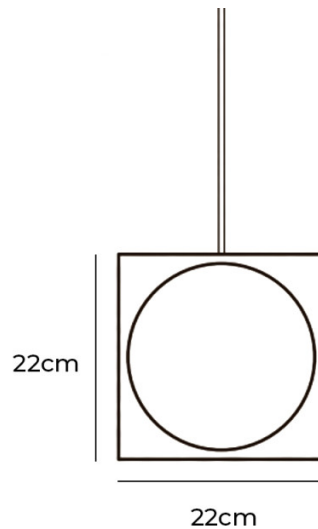
IP Code: 20

Dimming: Dimmable via Triac dimming.

Dimensions: Pendant:
 Height: 22cm
 Width: 22cm
 Diameter: 20cm

Canopy:
 Diameter: 12cm
 Height: 5cm

Cable length: Max 300cm (adjustable)



For all sales and technical enquiries, please contact:

+44 (0)114 263 4266

info@davidvillagelighting.co.uk

www.davidvillagelighting.co.uk