

LEE BROOM

Lee Broom Alchemist Mythos Pendant Light

LA11100

SOURCE: <https://www.davidvillagelighting.co.uk/product/Lee-Broom-Alchemist-Mythos-Pendant-Light/10002037>



PRODUCT DESCRIPTION

Designer: Lee Broom

Lee Broom Alchemist Mythos Pendant

Inspired by the ancient art of alchemy, the Lee Broom Alchemist Mythos Pendant light balances sculptural brass forms with an illuminated glass orb. The orb is nestled within a brass link, refracting light through its curves, creating an ethereal glow. Designed for use as a single pendant or in a cluster, the Mythos pendant's concealed connections make its light source appear magical, with no visible means of illumination.

Broom took inspiration from mythological tales such as Prometheus and Homer's Golden Chain, blending alchemical symbolism with sleek, modern design. Produced in brushed brass, Mythos brings an artistic edge to any space, whether suspended over dining tables or placed in entryways.

PRODUCT SPECIFICATION

Light Source: 1 x Max 3W G9 LED (Included)

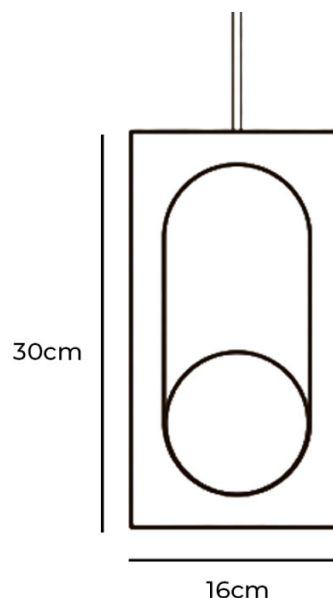
IP Code: 20

Dimming: Dimmable via Triac dimming.

Dimensions: Pendant:
Height: 30cm
Width: 16cm
Diameter: 11cm

Canopy:
Diameter: 12cm
Height: 5cm

Cable length: Max 300cm (adjustable)



For all sales and technical enquiries, please contact:

+44 (0)114 263 4266

info@davidvillagelighting.co.uk

www.davidvillagelighting.co.uk