

DCW editions In The Air Suspension

LA11079

SOURCE: <https://www.davidvillagelighting.co.uk/product/DCW-editions-In-The-Air-Suspension/10002002>



PRODUCT DESCRIPTION

Designer: Douglas Mont

DCW editions In The Air Suspension

The DCW editions In The Air Suspension boasts a UFO-like silhouette, housing either 3 or 6 light sources that appear to hover in mid-air. Designed by Douglas Mont, who was inspired by the imagery Jodorowsky derived from the cult science fiction novel Dune, In The Air combines retro aesthetic with nostalgic science fiction. The levitating diffusers are crafted from glass and encapsulate numerous light sources, projecting a functional yet comforting illumination.

In The Air is a contemporary luminaire that thanks to its elegant black frame can adapt to a wide range of interiors. This silhouette is a perfect addition to dining tables, over kitchen islands, and suspended above a workspace. This suspension light expertly combines minimalistic design with a striking personality.

PRODUCT SPECIFICATION

Light Source: In The Air 3: 3 x Max 10W E27 LED (excluded)
In The Air 6: 6 x Max 10W E27 LED (excluded)

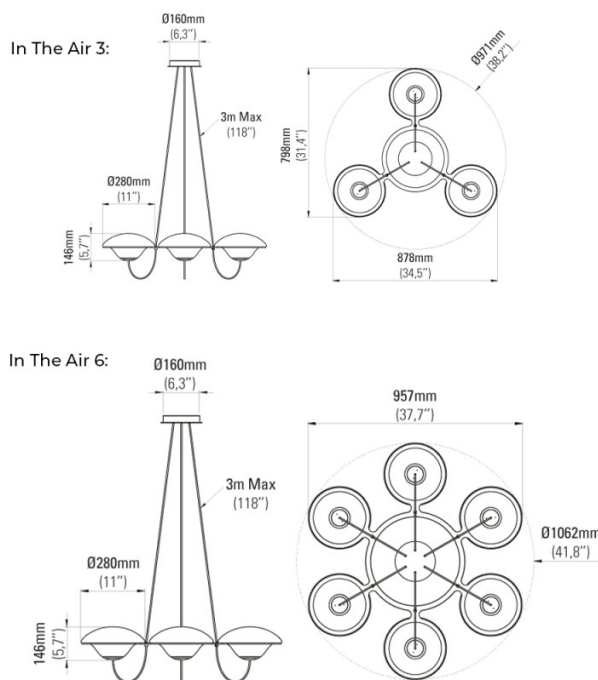
IP Code: 20

Dimming: Dimmable via mains phase dimming.

Dimensions: In The Air 3:
Width: 87.8cm
Depth: 79.8cm
Structure Height: 14.6cm

In The Air 6:
Structure: Ø95.7cm
Structure Height: 14.6cm

Ceiling Canopy: Ø16cm
Cable Length: 300cm



For all sales and technical enquiries, please contact:

+44 (0)114 263 4266

info@davidvillagelighting.co.uk

www.davidvillagelighting.co.uk