

VIBIA

# Vibia Dots LED Outdoor Wall Light

LA10708/EXT

SOURCE: <https://www.davidvillagelighting.co.uk/product/Vibia-Dots-LED-Outdoor-Wall-Light/10001982>

## PRODUCT DESCRIPTION

Designer: Martín Azúa

### Vibia Dots LED Outdoor Wall Light

Designed by Martin Azua, the Vibia Dots Outdoor Wall Light is an evolution of the [Dots Wall](#) and the [Dots Outdoor Floor Lamp](#). These exterior wall lights are easy to install and are available in two variations, differing in lighting output - either as a full halo, which produces an even emission of light the whole way around the lamp, or a more focused light which protrudes from a singular section of the structure.

The Vibia Dots Outdoor Wall allows you to choose between three neutral finishes, Black, Beige or Green, all of which adapt beautifully to natural environments and are an excellent way to brighten to up gardens, decking areas and exterior entryways. They can be displayed individually, in pairs or in larger clusters depending on your needs.

**This LED wall light is provided with a colour temperature of 2700K, 3500K is available upon request. Vibia also offers a dimmable version, please [contact us](#) for further information and pricing.**



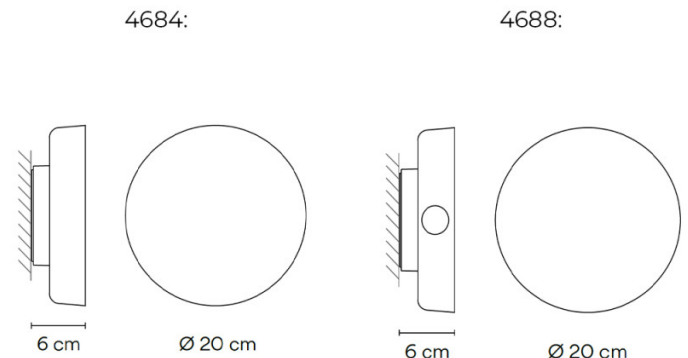
## PRODUCT SPECIFICATION

**Light Source:** 4684: 4.5W, 2700K, 400 Lumens  
4688: 5.75W, 2700K, 500 Lumens

**IP Code:** 66

**Dimming:** Non-Dimmable.

**Dimensions:** Ø20cm  
Depth: 6cm





**For all sales and technical enquiries, please contact:**

+44 (0)114 263 4266

[info@davidvillagelighting.co.uk](mailto:info@davidvillagelighting.co.uk)

[www.davidvillagelighting.co.uk](http://www.davidvillagelighting.co.uk)