

NUURA

**Nuura Florii Linear 5 LED
Suspension**

LA11068

SOURCE: <https://www.davidvillagelighting.co.uk/product/Nuura-Florii-Linear-5-LED-Suspension/10001952>



PRODUCT DESCRIPTION

Designer: Jessica Vedel

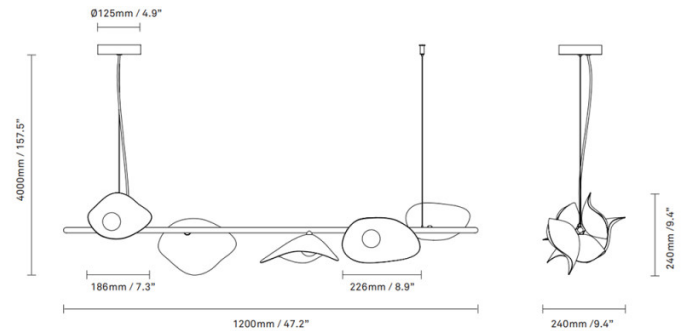
**Nuura Florii Linear 5 LED
Suspension**

Designed by Jessica Vedel, the Nuura Florii 5 LED Suspension is an elegant lighting solution, that represents leaves on a branch. The organic silhouette consists of a slender bronze frame housing 5 artistic shades fitted with an LED light source and producing functional, warm and inviting illumination. The Florii Linear is easily dimmed, allowing you to personalise the lighting output to suit the needs of you and your environment. It is a sleek addition to dining spaces and over kitchen islands, the glare-free downlighting expertly brightens the space below.

The organic nature of the Nuura Florii 5 Linear Suspension along with its contemporary colour palette means it can adapt to almost any modern interior and suit a range of personal styles. It can be displayed as a single fitting, in multiples for longer surface areas or alongside other products in the [Florii range](#) for a more cohesive interior.

PRODUCT SPECIFICATION

- Light Source:** 17W, 2700K, 1540 Lumens
- IP Code:** 20
- Dimming:** Dimmable via mains phase dimming.
- Dimensions:** Width: 120cm
Body Height: 24cm
Full Height: 400cm
Depth: 24cm





For all sales and technical enquiries, please contact:

+44 (0)114 263 4266

info@davidvillagelighting.co.uk

www.davidvillagelighting.co.uk