



&Tradition Bonnet Wall Light

LA11066/W

SOURCE: <https://www.davidvillagelighting.co.uk/product/Tradition-Bonnet-Wall-Light/10001943>

PRODUCT DESCRIPTION

Designer: Space Copenhagen

&Tradition Bonnet Wall Light

A beautiful companion to the Bonnet Chandelier, the &Tradition Bonnet Wall Light was designed by Space Copenhagen and released in 2024. Available in two elegant finishes, this wall light offers a contemporary take on a classic design and boasts an unobtrusive silhouette. The design balances a soft and organic silhouette with the masculinity of industrial materials and visible joints.

The Bonnet Wall Light is a sleek addition to living rooms, bedrooms, hallways and kitchens, providing functional diffused down lighting. Thanks to a small gap in the top of the shade, some lighting is able to escape, providing the look of a more even dispersion. It can be displayed individually in pairs or in multiples, depending on the needs of your space.



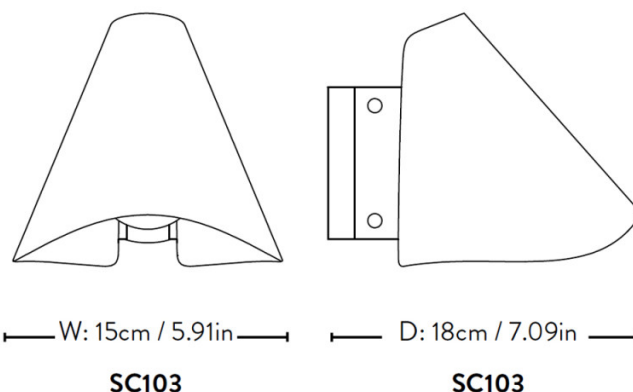
PRODUCT SPECIFICATION

Light Source: 1 x Max 5W LED G9 (excluded)

IP Code: 20

Dimming: Dimmable via mains phase dimming.

Dimensions: Width: 15cm
Depth: 18cm
Height: 14cm



For all sales and technical enquiries, please contact:

+44 (0)114 263 4266

info@davidvillagelighting.co.uk

www.davidvillagelighting.co.uk