

HAY

HAY Brim Pendant

LA11060

SOURCE: <https://www.davidvillagelighting.co.uk/product/HAY-Brim-Pendant/10001927>



PRODUCT DESCRIPTION

Designer: Rui Pereira & Ryosuke Fukusada

HAY Brim Pendant

Designed by Rui Pereira & Ryosuke Fukusada, the HAY Brim Pendant is a unique ambient lighting solution, featuring a coloured glass shade which rests atop an internal sphere concealing the light source. The design duo drew inspiration from classic glass pendants from past times, updating the familiar light typology with new materials - yet remaining true to its timeless roots. The illumination from Brim is softly diffused through the spherical centre, enhanced by the pleated glass of the shade, the result being a soft glow which is projected both downwards and outwards and can be used in a range of settings.

The HAY Brim Pendant is compact and can be displayed either individually or in clusters, available in three soft finishes it is a beautiful addition to above dining tables, workspaces and kitchen islands. Similarly, it can make an elegant bedside pendant or be used to illuminate hallways and entryways.

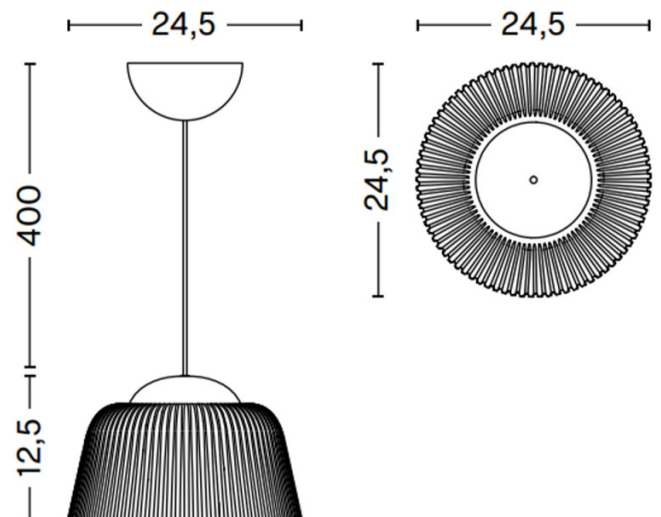
PRODUCT SPECIFICATION

**Light Source:** 2 x Max 6W G9 LED Dimmable (excluded)

**IP Code:** 20

**Dimming:** Dimmable via mains phase dimming.

**Dimensions:** Shade: Ø24.5cm  
Shade Height: 12.5cm  
Max Cable Length: 400cm





**For all sales and technical enquiries, please contact:**

+44 (0)114 263 4266

[info@davidvillagelighting.co.uk](mailto:info@davidvillagelighting.co.uk)

[www.davidvillagelighting.co.uk](http://www.davidvillagelighting.co.uk)