

CLEARANCE
OFFERS

LA10547/V/CLEAR

Lodes IVY V LED Pendant CLEARANCE

SOURCE: <https://www.davidvillagelighting.co.uk/product/Lodes-IVY-V-LED-Pendant-CLEARANCE/10001918>



PRODUCT DESCRIPTION

Designer: Vittorio Massimo

Lodes IVY V LED Pendant Light

BRAND NEW, OVERSTOCKED, ORIGINAL PACKAGING.
3 x Matte Black Available.
3 x Matte Champagne Available.

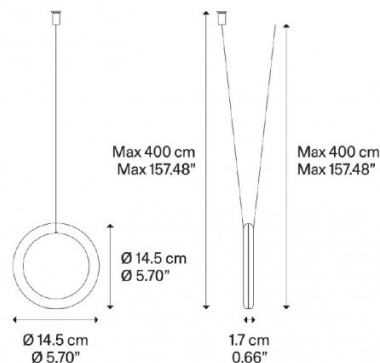
The IVY V pendant was designed by Vittorio Massimo alongside the [IVY I pendant light](#) and features two cables (instead of one like the IVY I) that delicately hold a circular lampshade, creating a beautiful V shape. Massimo was inspired by how wedding rings look on necklaces and pendants, gracefully sitting on someone's neck to create a gorgeous aesthetic. The shade also displays a geometric aesthetic, creating a contemporary and modern light expression.

Available in matte black or extra matte champagne, the IVY V pendant lamp emits an effective and long-lasting glow as the integrated LED light source sits in the bottom of the shade. Use in a wide variety of settings in rows, clusters or alone for a functional and stylish illumination.

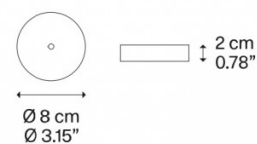
Please Note: the Lodes IVY V Clearance pendant comes with a black Ø8cm ceiling canopy as standard.

PRODUCT SPECIFICATION

- Light Source:** 3W, 3000K, 480 lumens
- IP Code:** 20
- Dimming:** Dimmable via Triac dimming.
- Dimensions:** Shade: Ø14.5cm
 Shade Depth: 1.7cm
 Maximum Cable Length: 400cm
 Ceiling Canopy: Ø8cm



Ceiling Canopy





For all sales and technical enquiries, please contact:

+44 (0)114 263 4266

info@davidvillagelighting.co.uk

www.davidvillagelighting.co.uk