



# Zero Compose Wall Light

LA11052

SOURCE: <https://www.davidvillagelighting.co.uk/product/Zero-Compose-Wall-Light/10001884>



## PRODUCT DESCRIPTION

**Designer:** Jens Fager

## Zero Compose Wall Light

In addition to the [Zero Compose Collection](#), this minimalistic yet bold Compose Wall Light was designed by Jens Fager in 2023. Available in four colours, two sizes, and two shade options, the Compose Wall Light offers a wide variety of choices for both residential and commercial environments.

Zero Compose Wall Light is designed to not only add a pop of colour when displayed individually, but also to make a statement when shown in an eye-catching pattern. Install the Compose Wall Light along a hallway or stairway to create a dramatic downward illumination. Zero Compose Wall Light is also available in a [Glass Shade Pendant](#) and [Metal Shade Pendant](#) which can be featured together for a contemporary cluster display.

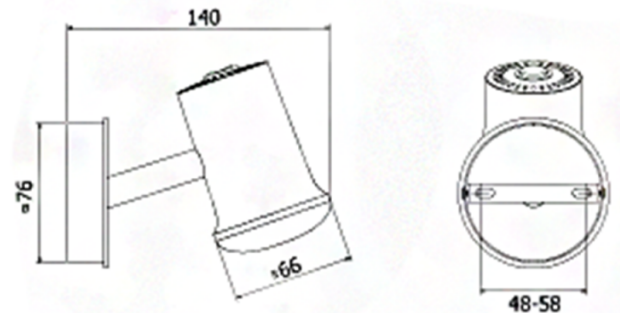
## PRODUCT SPECIFICATION

**Light Source:** 1x Max 3.5W, GU10 LED (Included)

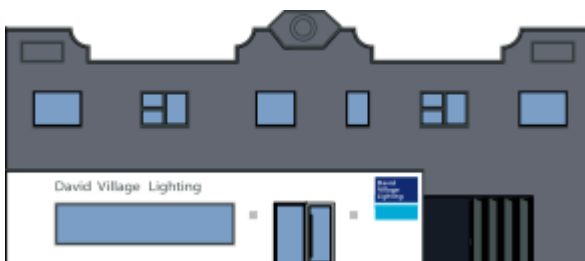
**IP Code:** 20

**Dimming:** Dimmable via mains phase dimming

**Dimensions:** Wall bracket: Ø7.6cm  
Shade: Ø6.6cm  
Depth: 14cm



Specification drawn without shade



**For all sales and technical enquiries, please contact:**

+44 (0)114 263 4266

[info@davidvillagelighting.co.uk](mailto:info@davidvillagelighting.co.uk)

[www.davidvillagelighting.co.uk](http://www.davidvillagelighting.co.uk)