

CLEARANCE  
OFFERS

LA10616/W/CLEAR

# Design For The People Strap 15 Wall Light CLEARANCE

SOURCE: <https://www.davidvillagelighting.co.uk/product/Design-For-The-People-Strap-15-Wall-Light-CLEARANCE/10001868>

## PRODUCT DESCRIPTION

Designer: Bjørn + Balle

### Design For The People Strap Wall Light

**BRAND NEW, OVERSTOCKED, ORIGINAL PACKAGING.  
2 x Black Available.**

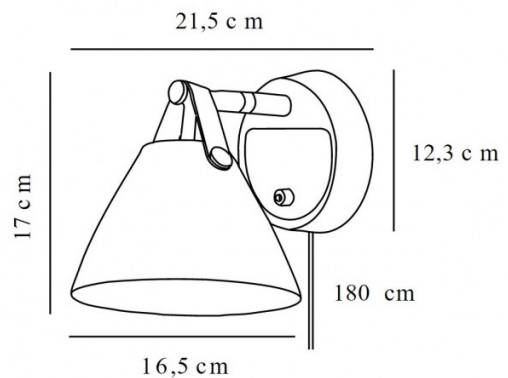
The Strap wall lamp, designed by Bjørn + Balle, is a stylish and alluring light that embodies the very best of Nordic design. Featuring a straight-lined, conical shade, the wall light has an inviting design, drawing the eye in any interior. The lampshade then has a leather strap on the top, seemingly hanging the shade on the metal structure. The Strap wall light emits a downward glow, as well as a slight ambient upward glow, being useful as accent lighting in many rooms and settings. This product comes with both a brown and a black leather strap, allowing you to easily change between the two colours depending on which suits your interior better.

**Please note, this wall light comes with both a cable and plug, with an on/off switch on the wall base, and hard-wired option, which makes the light dimmable, included in your purchase. If using the cable and plug, install near a socket and if hard-wiring, please consult your electrician.**



## PRODUCT SPECIFICATION

- Light Source:** 1 x Max 8W GU10 (excluded)
- IP Code:** 20
- Dimming:** **Hard-Wired:** Dimmable via mains phase dimming.  
**Cable and Plug:** Integrated on/off switch on the product.
- Dimensions:** Shade: Ø16.5cm  
Height: 17cm  
Depth: 21.5cm  
Wall Base: Ø12.3cm  
Cable Length: 180cm





**For all sales and technical enquiries, please contact:**

+44 (0)114 263 4266

[info@davidvillagelighting.co.uk](mailto:info@davidvillagelighting.co.uk)

[www.davidvillagelighting.co.uk](http://www.davidvillagelighting.co.uk)