

BROKIS®

Brokis Convex LED Pendant

LA1104

SOURCE: <https://www.davidvillagelighting.co.uk/product/Brokis-Convex-LED-Pendant/10001837>



PRODUCT DESCRIPTION

Designer: Boris Klimek

Brokis Convex Pendant

The Brokis Convex Pendant is an innovative design by Boris Klimek, it is crafted from Brokisglass with a minimalistic metal structure and suspension kit. Brokisglass consists of taking wasted glass shards in order to create a new upcycled material, reducing waste and harbouring a positive impact on the environment. The Convex Pendant Light highlights the beauty and optical properties of the glass and is well suited to a broad range of applications in both residential and commercial spaces.

This luminaire is available in two sizes and offers the choice between clear triplex opal, or a combination of clear triplex opal and grey triplex opal, where the darker fragments gradually transition to lighter towards the centre of the glass. Convex emits a soft ambient downlight that is a beautiful lamp for dining areas, kitchens, living rooms and entryways.

PRODUCT SPECIFICATION

Light Source: **PC1351:** 47W, 2700K, 4630 Lumens
PC1274: 75W, 2700K, 9983 Lumens

IP Code: 20

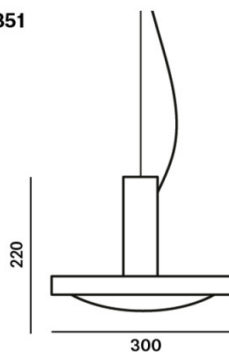
Dimming: Dimmable via mains phase diming.

Dimensions: **PC1351:**
 Shade Width: 30cm
 Body Height: 22cm

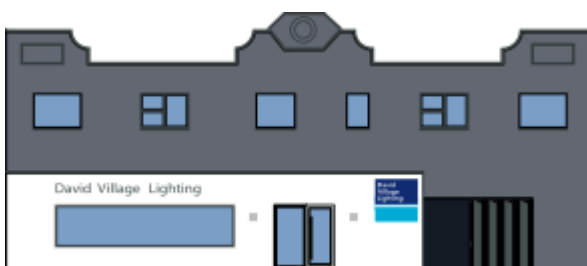
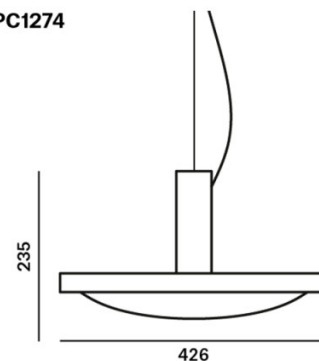
PC1274:
 Shade Width: 42.6cm
 Body Height: 23.5cm

Cable Length: 220cm
 Ceiling Canopy: Ø27cm

PC1351



PC1274



For all sales and technical enquiries, please contact:

+44 (0)114 263 4266

info@davidvillagelighting.co.uk

www.davidvillagelighting.co.uk