

CTO LIGHTING

CTO Lighting Ring Pendant Light

LA11039

SOURCE: <https://www.davidvillagelighting.co.uk/product/CTO-Lighting-Ring-Pendant-Light/10001836>



PRODUCT DESCRIPTION

Designer: CTO Lighting

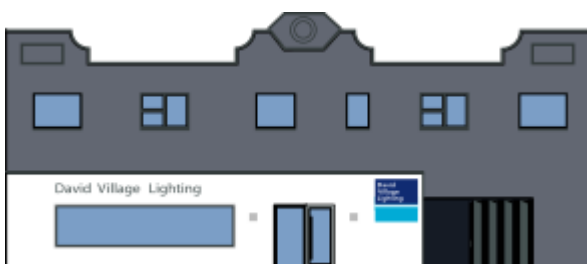
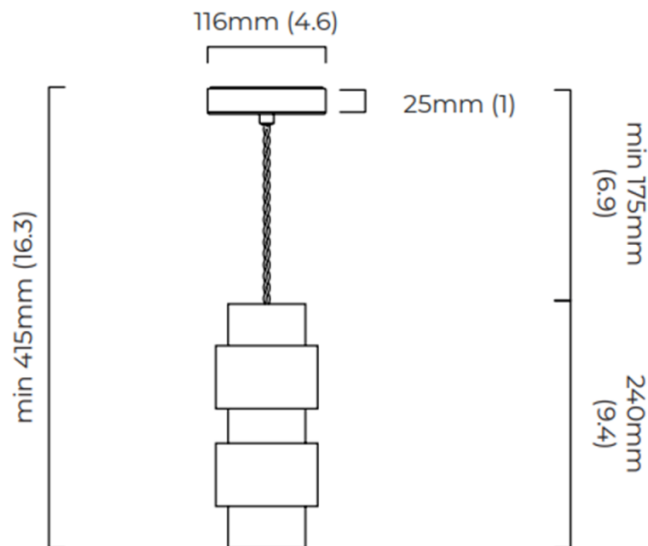
CTO Lighting Ring Pendant Light

The CTO Lighting in-house designers created the Ring Pendant Light. Inspired by the art of chiaroscuro and using strong light and shadows, the Ring pendant has been cleverly constructed to deliver richness and warmth to any environment. The sculpturally dramatic shade harnesses the light source and creates a direct downward illumination, ideal for an aesthetically pleasing display within a kitchen or lounge area. Suspended by a black silk braided flex cable at a minimum height of 17.5cm, this stunning pendant is adaptable to your preferences.

CTO Lighting Ring Pendant Light is available in two rich colourways: brass and bronze. Whether it is a residential or commercial establishment, the Ring Pendant's refined design and high-end finish make it stand out and add a touch of elegance to any interior.

PRODUCT SPECIFICATION

- Light Source:** 1x Max 6W, E14 LED (Excluded)
- IP Code:** 20
- Dimming:** Dimmable via mains phase dimming
- Dimensions:** Minimum cable length: 17.5cm
Minimum drop height: 41.5cm
Shade height: 24cm



For all sales and technical enquiries, please contact:

+44 (0)114 263 4266

info@davidvillagelighting.co.uk

www.davidvillagelighting.co.uk