



Design For The People Versale Pendant

LA10700/P

SOURCE: <https://www.davidvillagelighting.co.uk/product/Design-For-The-People-Versale-Pendant/10001798>



PRODUCT DESCRIPTION

Designer: Anker Studio

Design For The People Versale Pendant

A minimalistic design by Anker Studio, a Danish Design Studio consisting of Jonas Poulsen and Christian Troels, the Design For The People Versales Pendant boasts smooth curves and a glare-free downlight. Versale is the epitome of Scandinavian design and is available in three sleek finishes (Black, White or Brown). The frame appears to pierce through the body of the luminaire, resulting in an intriguing silhouette that is guaranteed to catch the eye.

Versale can be displayed individually or in groups or clusters for larger residential interior or commercial environments. The pendant light effortlessly creates a cosy blanket of illumination perfect for above dining tables or coffee tables. It is a beautiful addition to dining rooms, living rooms and kitchens. Similarly it is a comforting way to illuminate restaurants, cafes, bars and reception areas.

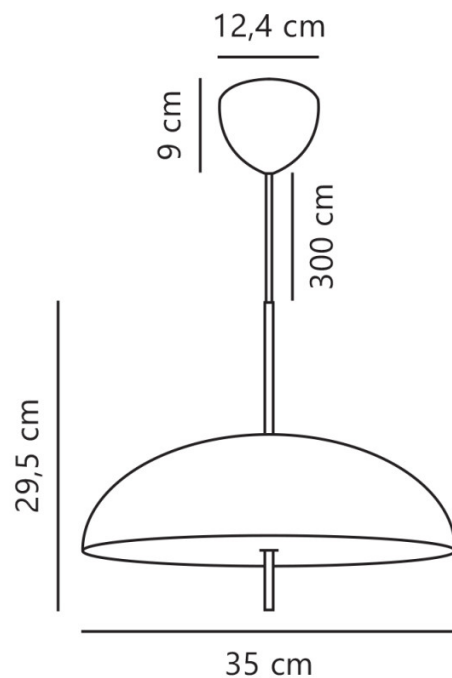
PRODUCT SPECIFICATION

Light Source: 2 x Max 40W E27 (excluded)

IP Code: 20

Dimming: Dimmable via mains phase dimming.

Dimensions: Shade: Ø35cm
Body Height:
Drop Height: 300cm
Ceiling Canopy: Ø12.4cm
Ceiling Canopy Height: 9cm





For all sales and technical enquiries, please contact:

+44 (0)114 263 4266

info@davidvillagelighting.co.uk

www.davidvillagelighting.co.uk