

FLOS

Flos IC 10-Year Anniversary  
Floor Lamp

LA7451/10

SOURCE: <https://www.davidvillagelighting.co.uk/product/Flos-IC-10-Year-Anniversary-Floor-Lamp/10001779>



PRODUCT DESCRIPTION

Designer: Michael Anastassiades

Flos IC 10 Year Anniversary Floor  
Lamp

We currently have limited stock of this item in our [Clearance section](#).

The Flos IC 10-Year Anniversary Floor Lamp is a celebration of the classic design released in 2014. The original IC collection began a collaborative journey between Flos and Michael Anastassiades, creating a meaningful landmark in Flos' career. Designed by Michael Anastassiades the IC Floor is a mysterious balancing act, utilising a spherical blown glass diffuser that effortlessly perches atop a slim metal structure.

The glass diffuser of the IC Floor Lamp emits a warm ambient glow that can be utilised in a range of interior settings, and thanks to the minimalistic silhouette it can adapt to an array of contemporary spaces. The IC Anniversary Floor Lamp boasts a timeless 24-carat gold plated finish that aims to resemble the lamp's eternity. Each floor lamp is numbered and signed, adding a unique touch.

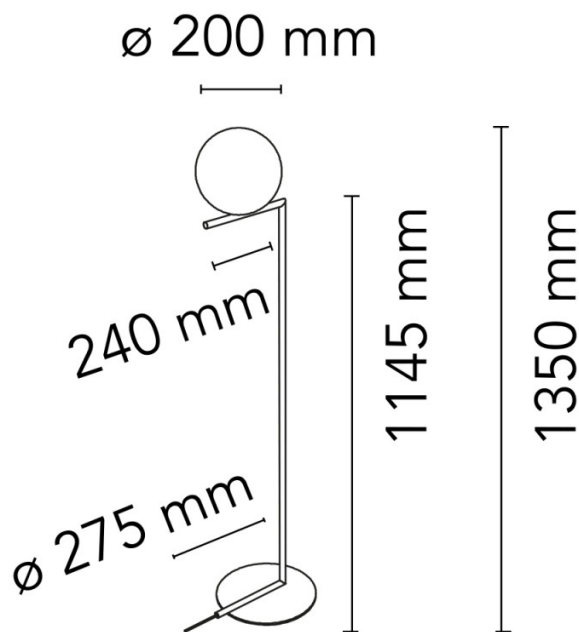
PRODUCT SPECIFICATION

Light Source: 1 x Max 60W E14 (excluded)

IP Code: 20

Dimming: In-line dimmer included on the cable.

Dimensions: Diffuser: Ø20cm  
Height: 135cm  
Base: Ø27.5cm





**For all sales and technical enquiries, please contact:**

+44 (0)114 263 4266

[info@davidvillagelighting.co.uk](mailto:info@davidvillagelighting.co.uk)

[www.davidvillagelighting.co.uk](http://www.davidvillagelighting.co.uk)