

FLOS

Flos IC 10-Year Anniversary Pendant

LA7452/10

SOURCE: <https://www.davidvillagelighting.co.uk/product/Flos-IC-10-Year-Anniversary-Pendant/10001777>



PRODUCT DESCRIPTION

Designer: Michael Anastassiades

Flos IC 10-Year Anniversary Pendant

We currently have limited stock of this item in our [Clearance section](#).

The Flos IC Pendant was originally designed in 2014 by Michael Anastassiades and has since become an iconic Flos product. 2024 marks the 10-year anniversary of the collection and to commemorate the occasion the brand launched a special edition variation of the classic pendant light. The IC 10th Anniversary Pendant explores balance and shapes, utilising the timeless spherical diffuser that appears to balance freely from the metal structure.

The pendant is available in a unique 24-carat gold plated finish and each piece is numbered and signed. Anastassiades wanted to utilise a sleek gold finish to represent the pendant as a symbol of eternity, due to its long-lasting stance in the lighting world. The special edition IC Pendant produces a warm diffused glow that can be utilised in a variety of interiors, swiftly adapting to almost any contemporary interior.

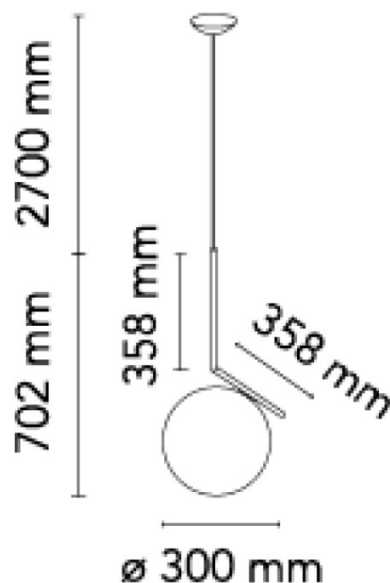
PRODUCT SPECIFICATION

Light Source: 1 x Max 205W E27 (excluded)

IP Code: 20

Dimming: Dimmable via mains phase dimming.

Dimensions: Diffuser: Ø30cm
Full Body Height: 70.2cm
Drop Height: 270cm





For all sales and technical enquiries, please contact:

+44 (0)114 263 4266

info@davidvillagelighting.co.uk

www.davidvillagelighting.co.uk