

lambert&fils

# Lambert & Fils Laurent Suspension Collection

LA10997

SOURCE: <https://www.davidvillagelighting.co.uk/product/Lambert-Fils-Laurent-Suspension-Collection/10001757>



## PRODUCT DESCRIPTION

Designer: Lambert & Fils

### Lambert & Fils Laurent Suspension Collection

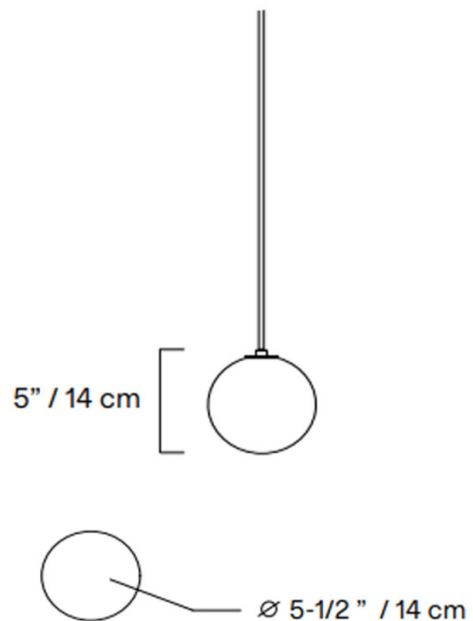
The Lambert & Fils Laurent Suspension is an abstract and easily personable lighting solution, consisting of a slender metal frame housing numerous frosted spherical glass diffusers. These diffusers contain the light source and carve through space, moving between line, surface, and volume. The eye-catching forms can be combined in endless patterns, making it possible for an installation of Lambert & Fils Laurent suspensions to occupy any space, no matter what its shape or size.

Suspended by Nylon flex, the Laurent produces functional diffused lighting, with the intensity dependent upon the number of luminaires you add to the composition. Due to the shape of the diffusers, the light source is emitted evenly both upwards and downwards. Each luminaire can be easily dimmed to personalise the ambience of your space and due to its size, the Laurent is a beautiful addition to open spaces such as large atriums, reception areas and hotel lobbies.

## PRODUCT SPECIFICATION

- Light Source:** Each glass diffuser takes: 1 x Max 4.5W G9 LED lamp
- IP Code:** 20
- Dimming:** Dimmable via mains phase dimming.
- Dimensions:** Each Diffuser: Ø14cm

Multiple configurations are available, contact us for more information.





**For all sales and technical enquiries, please contact:**

+44 (0)114 263 4266

[info@davidvillagelighting.co.uk](mailto:info@davidvillagelighting.co.uk)

[www.davidvillagelighting.co.uk](http://www.davidvillagelighting.co.uk)