

lambert&fils

Lambert & Fils Clark LED Suspension

LA10996

SOURCE: <https://www.davidvillagelighting.co.uk/product/Lambert-Fils-Clark-LED-Suspension/10001756>

PRODUCT DESCRIPTION

Designer: Lambert & Fils

Lambert & Fils Clark LED Suspension

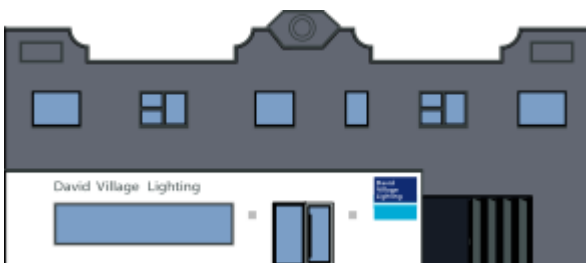
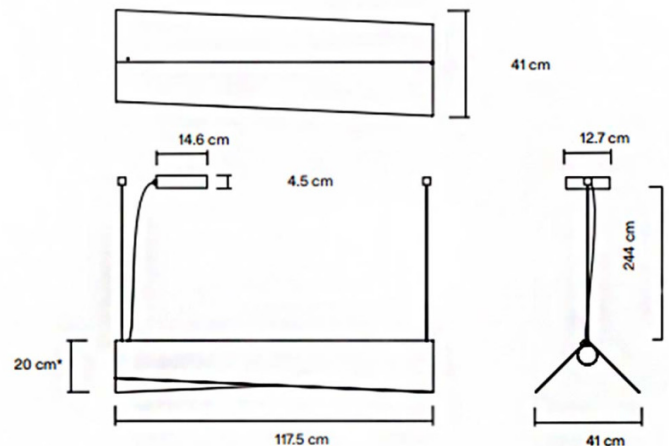
Lambert & Fils designed the Clark LED Suspension to push limits without sacrificing functionality. Clark's brass shade is cut and folded over the LED light source to create a downward light-reflecting effect. This structure allows the LED to rebound off the brass to create a golden glow. The Clarks LED tips are made of marble to anchor the lamp and provide a contemporary element. This suspension's rich materials and subtle use of angles seamlessly blend elegance and playfulness.

Lambert & Fils Clark LED Suspension has been designed to embellish both commercial and residential environments with its high-quality brass shade and marble detailing. The design is a tribute to the meticulous attention to detail and unwavering pledge to quality.



PRODUCT SPECIFICATION

- Light Source:** 45W, 2700K, 2880 Lumens
- IP Code:** 20
- Dimming:** Dimmable via mains phase dimming
- Dimensions:** Cable Length: 304cm
Length: 117.5cm
Height: 20cm
Width: 41cm



For all sales and technical enquiries, please contact:

+44 (0)114 263 4266

info@davidvillagelighting.co.uk

www.davidvillagelighting.co.uk