



Bover Plafonet 60 Ceiling Light

LA10005/60

SOURCE: <https://www.davidvillagelighting.co.uk/product/Bover-Plafonet-60-Ceiling-Light/10001541>

PRODUCT DESCRIPTION

Bover Plafonet 60 Ceiling Light

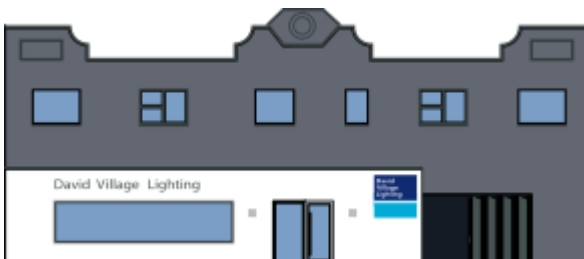
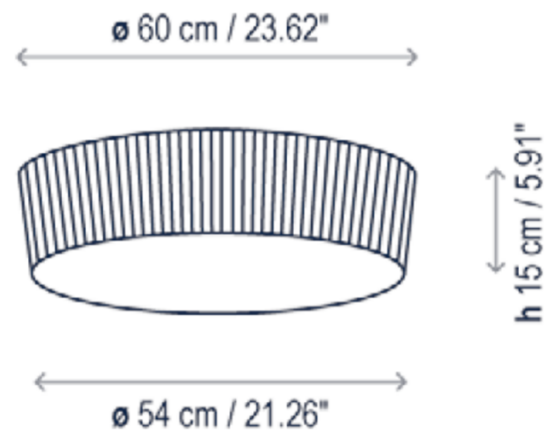
Bover Plafonet 60 Ceiling Light is a design that is inspired by simplicity and quality. This ceiling light was designed by Lluís Porqueras, Joana Bover and Carles Riart in 2005, and was born right inside the Bover offices. The elegant shape and minimalistic body ensure that the Plafonet can easily blend into various interiors. Available in three fabric options, white ribbon, cream ribbon and white cotton - with small chrome detailing, adding to its sophisticated and elegant design.

The two light sources are diffused through a plate of opal glass that sits at the bottom of the shade, it provides general lighting that is ambient and inviting. The Bover Plafonet Ceiling Light makes a beautiful addition to your hallway, living area or bedroom.



PRODUCT SPECIFICATION

- Light Source:** 4 x Max 9W LED E27 (excluded)
- IP Code:** 20
- Dimming:** Dimmable via mains phase dimming
- Dimensions:** Base of Shade: Ø 60cm
Bottom of Shade: Ø 54cm
Depth: 16cm



For all sales and technical enquiries, please contact:

+44 (0)114 263 4266

info@davidvillagelighting.co.uk

www.davidvillagelighting.co.uk