

HAY

# HAY Nelson Ball Bubble Wall Light

LA10056/W

SOURCE: <https://www.davidvillagelighting.co.uk/product/HAY-Nelson-Ball-Bubble-Wall-Light/10001482>



## PRODUCT DESCRIPTION

Designer: George Nelson

## HAY Nelson Ball Bubble Wall Light

HAY Nelson Ball Bubble Wall Light was designed by the infamous, George Nelson to be a part of the Nelson [Bubble collection](#). The Nelson Wall Lamp offers a wall-mounted lighting solution for the original Bubble Pendants. Featuring a spherical webbing polymer shade suspended from a walnut wall mount with a steel arm, the lamp fills any décor with a warm, diffused glow. Each shade has been designed with a steel-wire skeleton on the interior to hold the ball shape. Nelson designed the arm of the lamp to be adjusted from left to right and up and down without having to change the position of the mount attached to the wall.

Nelson Ball Bubble Wall Light can be displayed above bedside tables for a perfectly soft, ambient glow. The lamp is operated by a pull chain with a walnut bead attached which is suspended from inside the shade. HAY Nelson Ball Wall Light is also available in a [Nelson Ball Bubble Pendant](#) version.

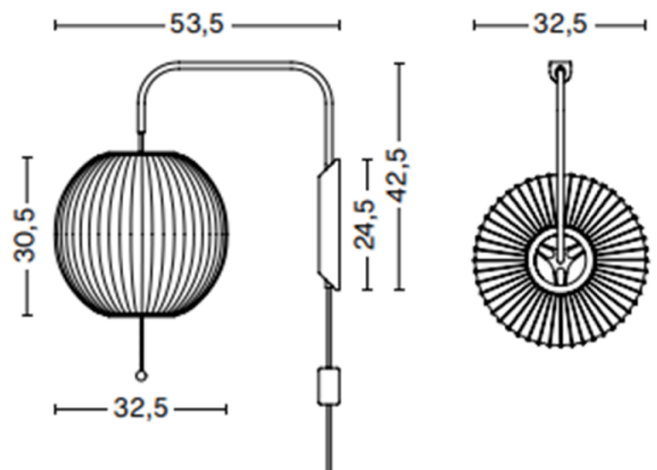
## PRODUCT SPECIFICATION

**Light Source:** 1x Max 8W, E27 LED (Excluded)

**IP Code:** 20

**Dimming:** Integrated on/off switch on the product

**Dimensions:** Cable: 366cm  
Depth: 53.5cm  
Shade height: 30.5cm  
Shade diameter: 32.5cm





**For all sales and technical enquiries, please contact:**

+44 (0)114 263 4266

[info@davidvillagelighting.co.uk](mailto:info@davidvillagelighting.co.uk)

[www.davidvillagelighting.co.uk](http://www.davidvillagelighting.co.uk)