



Bert Frank Shear Table Lamp

LA10933/T

SOURCE: <https://www.davidvillagelighting.co.uk/product/Bert-Frank-Shear-Table-Lamp/10001480>

PRODUCT DESCRIPTION

Designer: Bert Frank Design Team

Bert Frank Shear Table Lamp

The Bert Frank Shear Table Lamp is a timeless design, crafted from brass and turned metal, the initial inspiration came from the style of the 1930s. Shear is the design that started the Bert Frank journey and continues to be one of their most popular designs. The geometric shade is available in black or white with brass detailing, and the brushed finish on the inner shade produces a soft, warm illumination.

Shear offers a unique silhouette, consisting of two overlapping stems that are connected via a tightening mechanism. This mechanism allows the user to adjust not only the angle but also the height of the Shear Table Lamp and grants this lamp the illusion of an expertly balanced structure. For this reason, the Shear Table Lamp by Bert Frank makes a perfect task light for your desk or workspace, granting you full control over the direction of the lighting output.

The Shear Table Lamp can also be provided with a satin nickel or dark bronze structure, please [contact us](#) for more information and pricing.



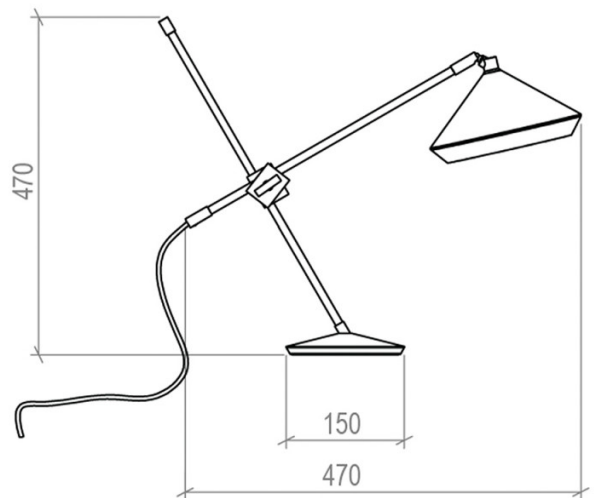
PRODUCT SPECIFICATION

Light Source: 1 x Max 4W G9 LED (included)

IP Code: 20

Dimming: In-line on/off switch on the cable.

Dimensions: Height: 47cm
Depth: 47cm
Base: Ø15cm





For all sales and technical enquiries, please contact:

+44 (0)114 263 4266

info@davidvillagelighting.co.uk

www.davidvillagelighting.co.uk