

Bert Frank Brace LED Wall Light

LA10930

SOURCE: <https://www.davidvillagelighting.co.uk/product/Bert-Frank-Brace-LED-Wall-Light/10001469>

PRODUCT DESCRIPTION

Designer: Bert Frank Design Team

Bert Frank Brace Wall Light

The Bert Frank Brace LED Wall Light gets its name from the structural 'brace' that runs through the design, which is available in either brass or satin nickel. The elongated design is available in two sizes and is crafted from high-quality alabaster sourced from the Aragon region of Spain. The symmetrical detailing offers a luxurious touch to the lighting solution, allowing it to adapt to almost any contemporary interior.

The LED light source of the Bert Frank Brace is emitted both outwards to provide the room with warm illumination and also towards the wall for an indirect accent light. The result is an inviting and relaxing ambience that can be easily dimmed to further personalise your space. This elegant wall light is a beautiful addition to bedrooms, living spaces, reading nooks and even hallways. It can be utilised in both residential and commercial settings.

Please Note: This wall light is hand-made and bespoke, meaning each creation is completely unique and the alabaster patterns will differ.



PRODUCT SPECIFICATION

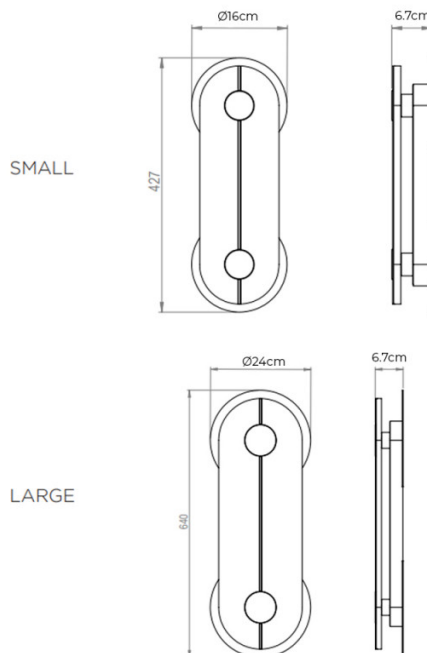
Light Source: **Small:** 10W, 2700K, 900 Lumens
Large: 15W, 2700K, 1375 Lumens

IP Code: 20

Dimming: Dimmable via mains phase dimming.

Dimensions: Small:
Height: 42.7cm
Width: 16cm
Depth: 6.7cm

Large:
Height: 64cm
Width: 24cm
Depth: 6.7cm





For all sales and technical enquiries, please contact:

+44 (0)114 263 4266

info@davidvillagelighting.co.uk

www.davidvillagelighting.co.uk