

CLEARANCE  
OFFERS

LA10917/CLEARANCE

# Artemide Tagora 270 LED Suspension CLEARANCE EX- DISPLAY

SOURCE: <https://www.davidvillagelighting.co.uk/product/Artemide-Tagora-270-LED-Suspension-CLEARANCE-EX-DISPLAY/10001467>



## PRODUCT DESCRIPTION

### Artemide Tagora 270 LED Suspension

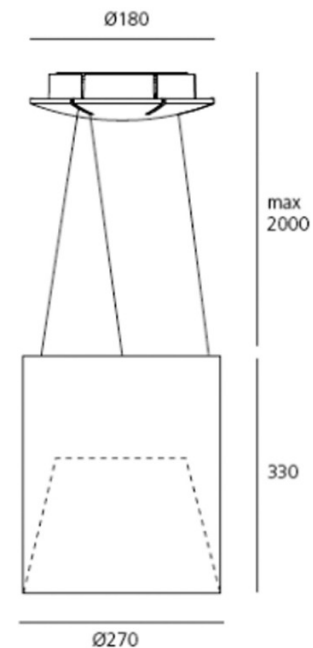
**Ex-Display, boxed in non-original packaging.  
Some signs of wear and tear, see images for exact condition.  
1 x Black/Blue available.**

The Artemide Tagora Suspension 270 LED is a cylindrical lighting solution, featuring a black aluminium body and a blue interior. It produces a functional ambient downlight that can be easily dimmed to personalise the ambience. It can adjust to a range of contemporary interiors and is excellent for use above kitchen islands, dining tables and stairwells.

**Please Note: The Artemide Tagora Suspension has a reduced drop height of approximately 180cm.**

## PRODUCT SPECIFICATION

<b>Light Source:</b>	34W, 3000K, 1636 Lumens
<b>IP Code:</b>	20
<b>Dimming:</b>	Dimmable via Dali dimming systems. Please consult your electrician, additional wiring may be required on-site.
<b>Dimensions:</b>	Shade: Ø27cm Shade Height: 33cm Maximum Drop Height: 200cm Ceiling Canopy: Ø18cm





**For all sales and technical enquiries, please contact:**

+44 (0)114 263 4266

[info@davidvillagelighting.co.uk](mailto:info@davidvillagelighting.co.uk)

[www.davidvillagelighting.co.uk](http://www.davidvillagelighting.co.uk)