

LODES

Lodes Hover LED Table Lamp

LA10921

SOURCE: <https://www.davidvillagelighting.co.uk/product/Lodes-Hover-LED-Table-Lamp/10001445>

PRODUCT DESCRIPTION

Designer: YOY Design Studio

Lodes Hover LED Table Lamp

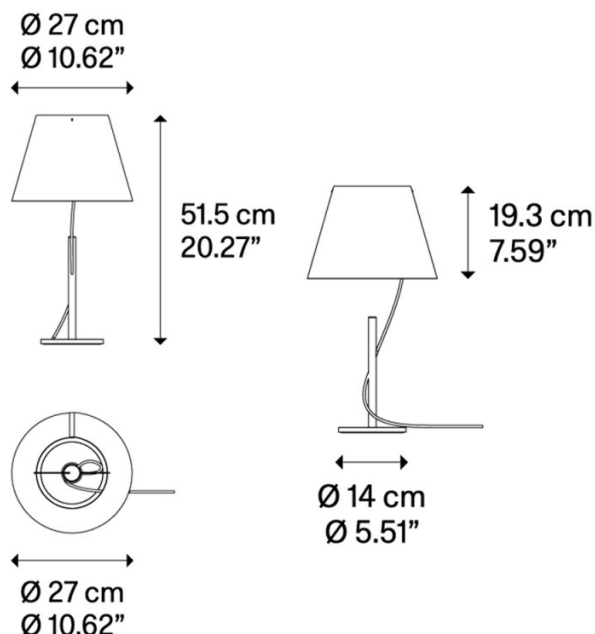
The Hover LED Table Lamp by Lodes is a unique lighting solution that encourages users to interact with the light. Its main feature is the optical illusion created by the Hover silhouette, it features a lampshade that looks as if it is detached from the base, connected seamlessly by a single cable that runs through the stem and comes out of the other end. This makes the light source appear to be floating in mid-air and is the inspiration behind the lamp's name. The Lodes Hover Table Lamp features a dimmer controlled by a power switch on the upper end of the stem, touch the top of the stem to modulate the intensity of the light and therefore easily personalise the ambience of your environment.

Combining two contrasting materials, Hover features a metal structure and a softer paper shade made from a special compound of paper and polymer film - this shade diffuses the LED light source and results in a warm glow that creates a peaceful ambience. The Lodes Hover LED Table Lamp is intriguing and adds an uncommon touch to your space, it is a beautiful addition to a range of spaces but is particularly impactful when used on a desk, reading nook, side table, bedside table or next to a sofa. This range also extends to a [Floor Lamp](#), completing the look.



PRODUCT SPECIFICATION

- Light Source:** 6W, 2700K, 1000 Lumens
- IP Code:** 20
- Dimming:** Integrated dimmer on the product.
- Dimensions:** Ø27cm
Shade Height: 19.3cm
Height: 51.5cm
Base: Ø14cm





For all sales and technical enquiries, please contact:

+44 (0)114 263 4266

info@davidvillagelighting.co.uk

www.davidvillagelighting.co.uk