

# LODES

## Lodes Pin-Up LED Wall Light

LA10920

SOURCE: <https://www.davidvillagelighting.co.uk/product/Lodes-Pin-Up-LED-Wall-Light/10001444>

### PRODUCT DESCRIPTION

**Designer:** Andrea Tosetto

### Lodes Pin-Up LED Wall Light

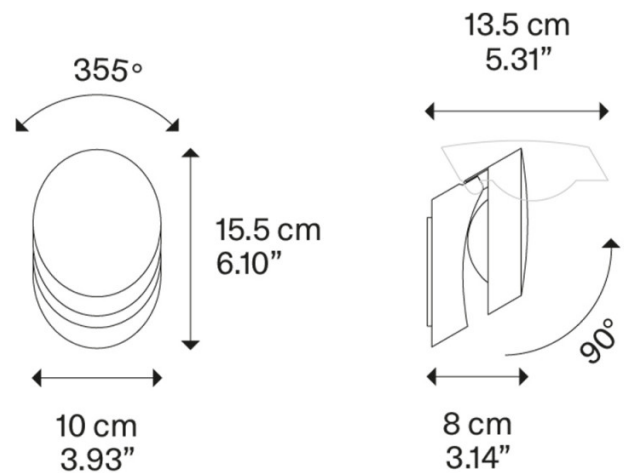
Designed by Andrea Tosetto, the Lodes Pin-Up LED Wall Light is compact but functional and provides you with a choice between three sleek matte finishes. The simple, organic design of Pin-Up opens like a shell to provide a bright light which can be modelled at will thanks to the flexibility of the light fixture and the availability of two LED sources. When closed, the Lodes Pin-Up Wall Light produces a soft and delicate light; when opened further it casts unique plays of light which vary in intensity. Pin-Up produces a warm glow that is diffused through a convex glass lens, preventing any glare that can be caused by direct light.

This LED wall light encourages the user to interact with its form and grants the ability to control not only the intensity but also the direction of the illumination. With a simple elegance, Pin-Up is perfect for use on bedsides, in staircases, corridors, entryways or even in living rooms. This wall light can easily adapt to a multitude of modern interiors and is versatile enough to suit a range of personal styles. This lighting solution is available in Black, White or Bronze.



### PRODUCT SPECIFICATION

- Light Source:** 8W, 2700K, 920 Lumens
- IP Code:** 20
- Dimming:** Dimmable via Triac dimming.
- Dimensions:** Width: 10cm  
Height: 15.5cm  
Depth: 8cm





**For all sales and technical enquiries, please contact:**

+44 (0)114 263 4266

[info@davidvillagelighting.co.uk](mailto:info@davidvillagelighting.co.uk)

[www.davidvillagelighting.co.uk](http://www.davidvillagelighting.co.uk)