

Audo
COPENHAGEN

Audo Copenhagen Phare LED Portable Table Lamp

LA10919

SOURCE: <https://www.davidvillagelighting.co.uk/product/Audo-Copenhagen-Phare-LED-Portable-Table-Lamp/10001443>

PRODUCT DESCRIPTION

Designer: Stanislaw Czarnocki

Audo Copenhagen Phare LED Portable Table Lamp

The Audo Copenhagen Phare LED Table Lamp is a portable lighting solution, designed by Stanislaw Czarnocki. This lamp was originally created for apartment no. 50 at Le Corbusier's 'Cité Radieuse' in Marseille, and Phare's aesthetic was inspired by the concept of creating a fully recyclable product that would also become a versatile everyday companion and improve daily comfort for its user.

Phare is an incredibly versatile lighting solution that provides a functional but relaxing illumination. It can be freely placed, hung or even taken outside if used in dry conditions. Its simple taste and unique composition can suit a range of interiors, whether classic or contemporary. The Audo Copenhagen Phare LED Portable Lamp is lightweight and easy to manoeuvre from room to room, the structure is made from high-quality aluminium whilst the shade utilises injected plastic, offering long-term durability and safety. Its design is the result of a minimalistic yet bold silhouette which makes the most of decorative elements.

Charging time: approximately 6 hours.
To preserve battery life, switch the lamp off when charging and do not leave plugged in while in use.



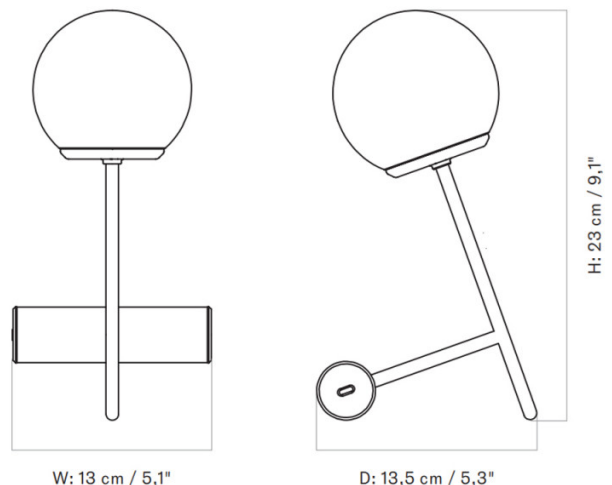
PRODUCT SPECIFICATION

Light Source: 2.8W, 2700K, 200 Lumens

IP Code: 20

Dimming: Integrated on/off switch on the product.

Dimensions: Height: 23cm
Width: 13cm
Depth: 13.5cm
Charging Cable Length: 70cm



W: 13 cm / 5,1"

D: 13,5 cm / 5,3"

H: 23 cm / 9,1"



For all sales and technical enquiries, please contact:

+44 (0)114 263 4266

info@davidvillagelighting.co.uk

www.davidvillagelighting.co.uk